

## GENERAL BUILDING DATA

The owner/contractor shall verify all dimensions and site conditions before starting work. The owner/contractor shall notify the Building Codes Division of any discrepancies, changes, omissions, or substitutions that are not permitted without the approval of the Building Department having jurisdiction. All workmanship shall conform to Oregon Residential Specialty Code.

All wood in contact with the ground, embedded in concrete in direct contact with the ground or embedded in concrete exposed to the weather that supports permanent structures shall be approved pressure preservative treated wood suitable for ground contact use.

In geographical areas where experience has demonstrated a specific need, approved naturally durable or pressure preservative treated wood shall be used for those portions of wood members that form the structural support of decks, porches, balconies or similar permanent building appurtenances when those members are exposed to the weather without adequate protection from a roof, such members may include:

1. Horizontal members such as girders, joists, and decking.
2. Vertical members such as posts, poles and columns.
3. Both horizontal and vertical members

Diagonal bracing required beam to column on each end front of deck with one 1/2" bolt each end of brace

Guards shall be located along open-sided walking surfaces, including stairs, ramps, landings, and decks that are located more than 30" measured vertically to the floor or grade below at any point within 36" horizontally to the edge of the open side.

Required guards at open sided walking surfaces, include stairs, porches, balconies, landings, or decks, shall not be less than 36" high measured vertically above the adjacent walking surface.

Exceptions:

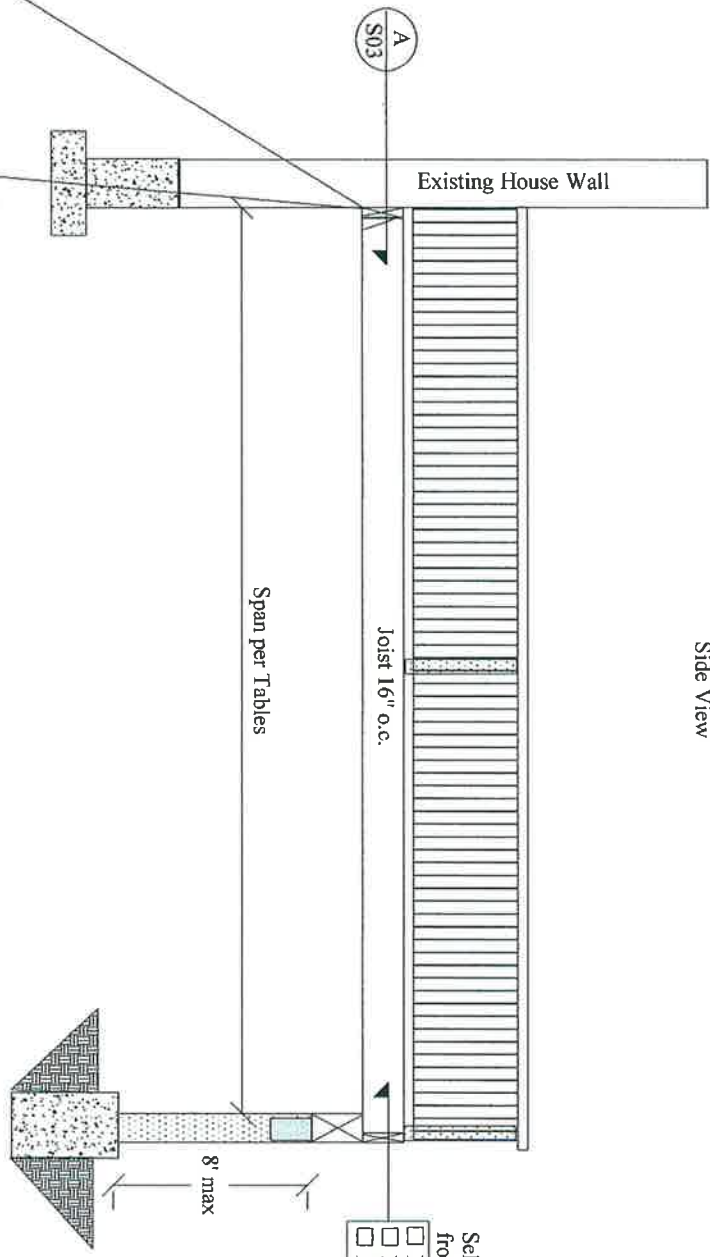
1. Guards on open sides of stairs shall have a height not less than 34" measured vertically from the line connecting the leading edges of the treads.
2. Where the top of the guard also serves as a handrail on the open sides of stairs, the top of the guard shall not be less than 34" and not more than 38" measured vertically from a line connecting the leading edges of the treads.

Required guards shall not have openings from the walking surface to the required guard height which will allow passage of a sphere 4" in diameter.

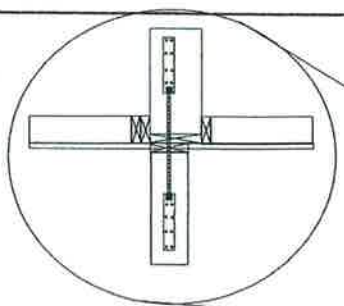
Exceptions:

1. The triangular openings at the open side of a stair, formed by the riser, tread and bottom rail of a guard, shall not allow passage of a sphere 6" in diameter.
2. Guards on the open sides of stairs shall not have openings which allow passage of a sphere 5" in diameter

Side View



- Select one method from Sheet S04
- Detail B
  - Detail B1 Alt
  - Detail B2 Alt

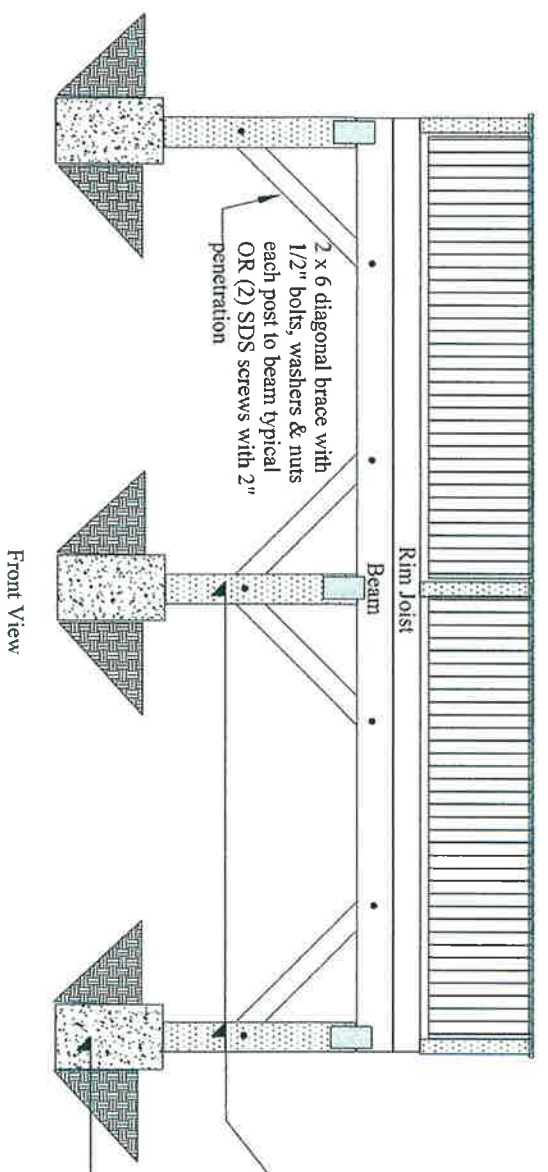


DTT2 or equal two locations per deck within 24" each end of the deck

OR

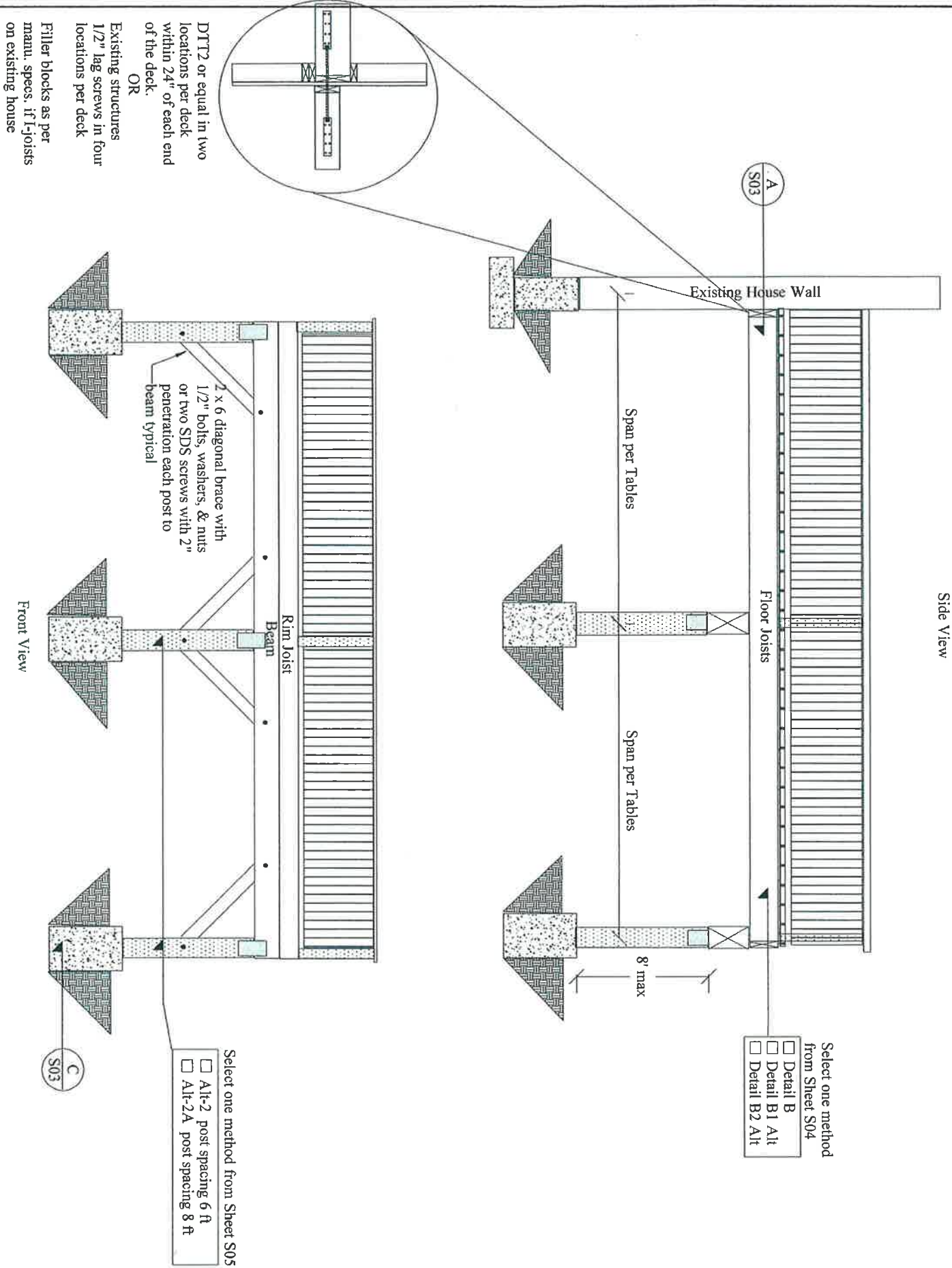
Existing structures use two 1/2" lags screws four locations

Filler blocks as per manu. specs. if I-joist on existing house



- Select one method from Sheet S05
- Alt-1 post spacing 6 ft
  - Alt-1A post spacing 8 ft

Front View

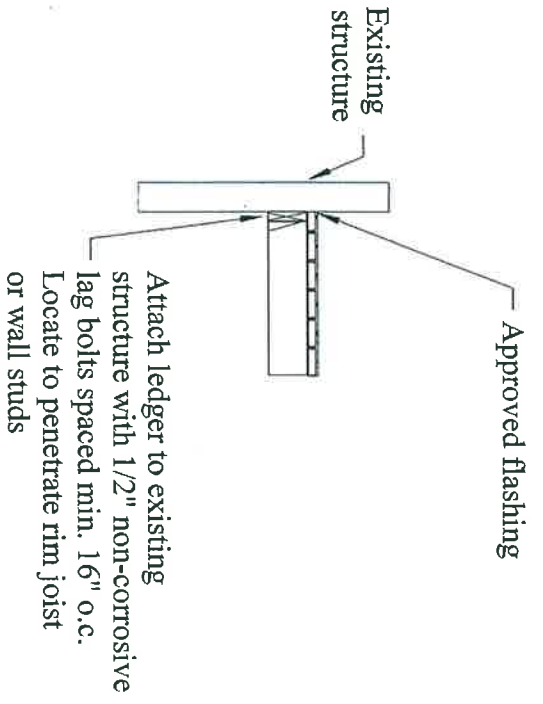


**CITY OF GRANTS PASS**  
 101 NORTHWEST A STREET  
 GRANTS PASS, OR 97526  
 TEL: 541-450-6060

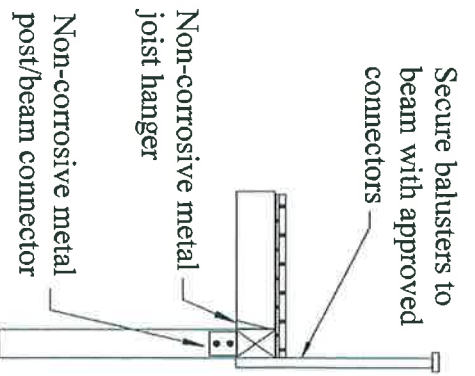
**DECK PLAN #2014-07**  
**READY BUILD PLAN**  
**PRESCRIPTIVE FRAME DECK**

**BUILDING CODE**  
**ORSC 2011**

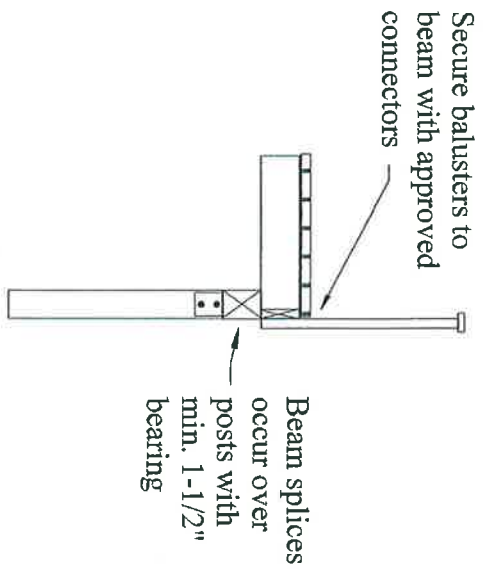
**Alt 2**  
**S03**



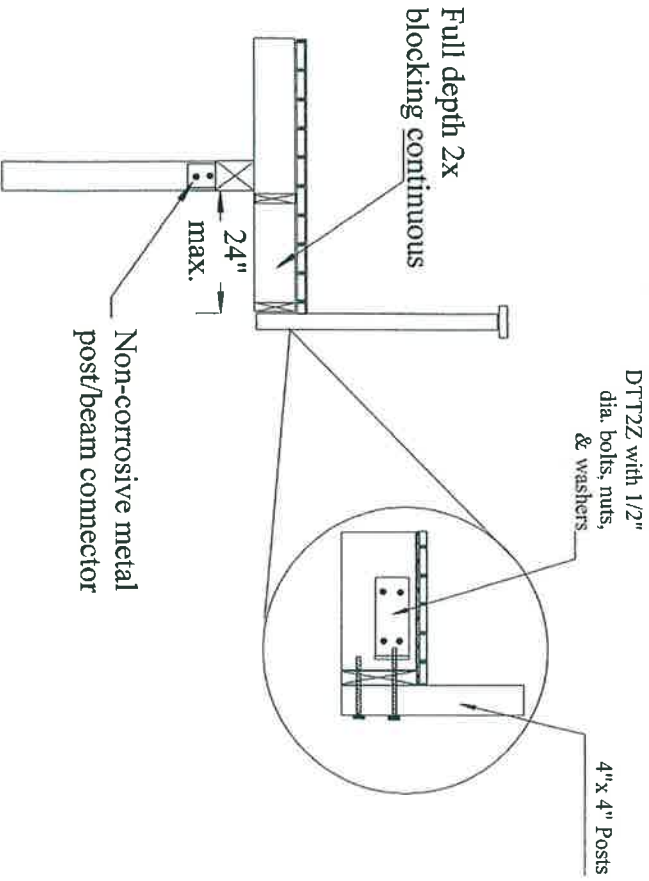
Detail A



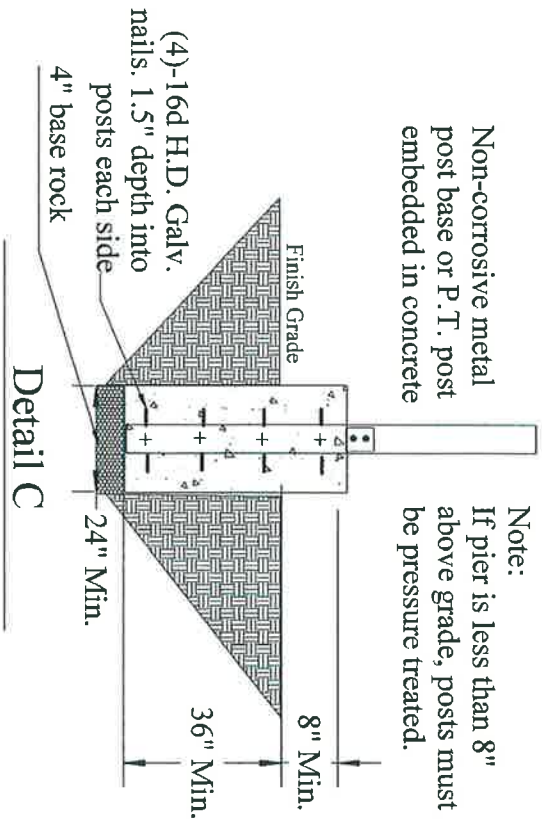
Detail B



Detail B1 - Alt.



Detail B2 - Alt



Detail C

In the Table below choose a post spacing, beam size, joist size, and joist length appropriate for your deck.  
 Check a box of your choice on Page S02. All wood shall be at least a grade #2 df.

**ALT#1-SINGLE BEAM SUPPORT (4 x 4 Posts)**

Item Choice	Post Spacing	Beam Size	Joist Size	Joist Length
#1	6'-0"	4 x 6	2 x 8 @ 16" o.c.	8'-0"
#2	6'-0"	4 x 8	2 x 10 @ 16" o.c.	10'-0"
#3	6'-0"	4 x 8	2 x 10 @ 16" o.c.	12'-0"
#4	6'-0"	4 x 8	2 x 12 @ 16" o.c.	14'-0"
#5	6'-0"	4 x 8	2 x 14 @ 16" o.c.	16'-0"

**ALT#2-DOUBLE BEAM SUPPORT (4 x 4 Posts)**

Item Choice	Post Spacing	Beam Size & Spacing	Joist Size	Joist Length
#1	6'-0"	4 x 6 @ 4' o.c.	2 x 6 @ 16" o.c.	8'-0"
#2	6'-0"	4 x 6 @ 5' o.c.	2 x 6 @ 16" o.c.	10'-0"
#3	6'-0"	4 x 6 @ 6' o.c.	2 x 6 @ 16" o.c.	12'-0"
#4	6'-0"	4 x 8 @ 7' o.c.	2 x 8 @ 16" o.c.	14'-0"
#5	6'-0"	4 x 8 @ 8' o.c.	2 x 8 @ 16" o.c.	16'-0"

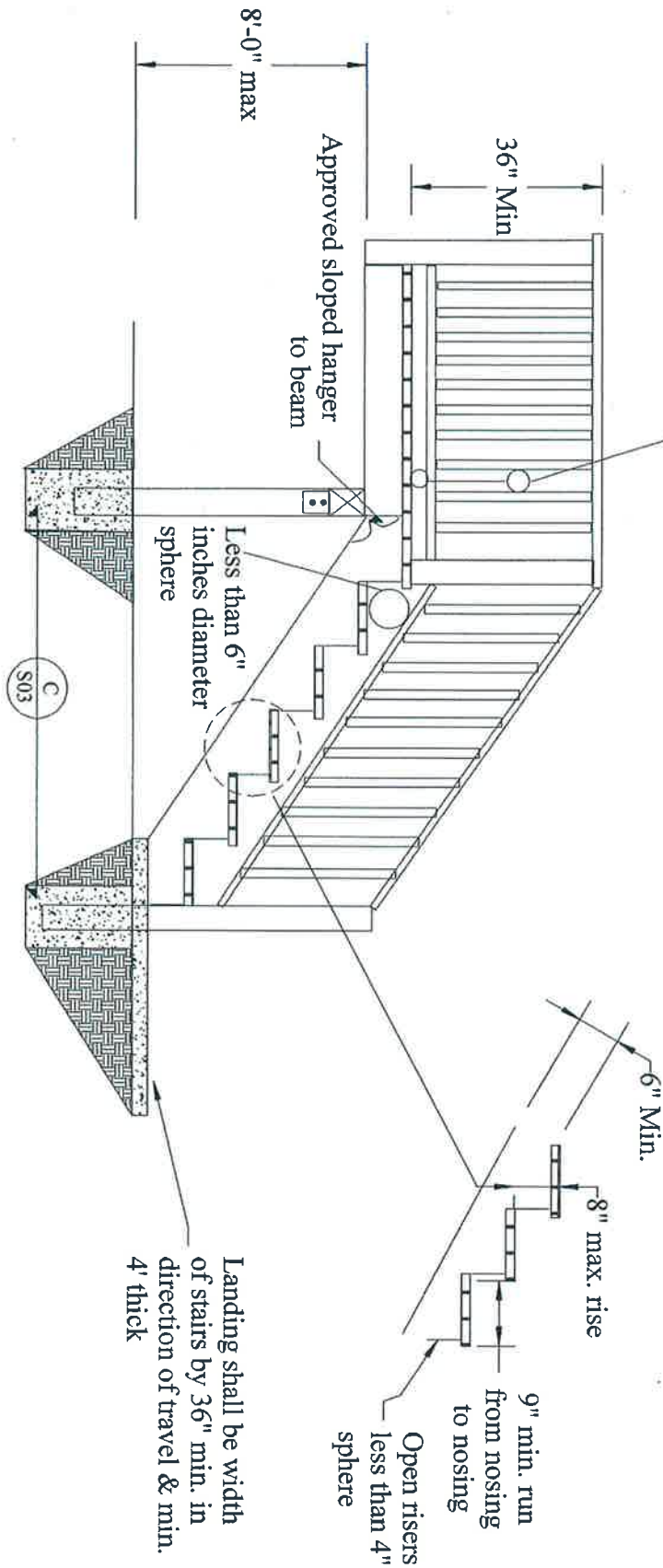
**ALT#1A-SINGLE BEAM SUPPORT (4 x 4 Posts)**

Item Choice	Post Spacing	Beam Size	Joist Size	Joist Length
#1	8'-0"	4 x 10	2 x 8 @ 16" o.c.	8'-0"
#2	8'-0"	4 x 10	2 x 10 @ 16" o.c.	10'-0"
#3	8'-0"	4 x 10	2 x 10 @ 16" o.c.	12'-0"
#4	8'-0"	4 x 12	2 x 12 @ 16" o.c.	14'-0"
#5	8'-0"	4 x 12	2 x 14 @ 16" o.c.	16'-0"

**ALT#2A-DOUBLE BEAM SUPPORT (4 x 4 Posts)**

Item Choice	Post Spacing	Beam Size & Spacing	Joist Size	Joist Length
#1	8'-0"	4 x 8 @ 4' o.c.	2 x 6 @ 16" o.c.	8'-0"
#2	8'-0"	4 x 8 @ 5' o.c.	2 x 6 @ 16" o.c.	10'-0"
#3	8'-0"	4 x 10 @ 6' o.c.	2 x 6 @ 16" o.c.	12'-0"
#4	8'-0"	4 x 10 @ 7' o.c.	2 x 8 @ 16" o.c.	14'-0"
#5	8'-0"	4 x 10 @ 8' o.c.	2 x 8 @ 16" o.c.	16'-0"

Open guardrails on decks more than 30" inches above grade or a floor below shall have members spaced so that a 4" inch diameter sphere cannot pass through.



**STAIRWAY NOTES:**

1. Stairways shall be not less than 36" in width.
2. Maximum riser height shall be 8", and 4" minimum
3. Minimum tread depth shall be 9"
4. Maximum differential between treads and risers shall not exceed 3/8"
5. Open risers are permitted if opening does not exceed 4" height
6. Minimum nosing 3/4" to maximum 1-1/4"

**HANDRAIL NOTES:**

1. Handrails shall be continuous on at least one side with four risers or more
2. Top of handrails shall be between 34" min. to 38" max above stair nosings
3. Handrails shall be between 1-1/4" to 2-1/4" gripple surface
4. Handrails shall be placed not less than 1-1/2" clear from wall
5. Handrails shall return to wall, post, stairway