

**CITY OF GRANTS PASS**  
**PUBLIC WORKS DEPARTMENT**  
**REQUEST FOR QUOTES**



**HI-VAC COMBINATION JET/VAC TRUCK**  
**February 15, 2022**

## **Specifications/Description**

ONE (1) HI-VAC COMBINATION JET/VAC TRUCK, AQUATECH B-SERIES, 2023 OR CURRENT MODEL YEAR.

The City of Grant Pass is soliciting RFQs (request for quotes) for one new and unused 2023 HI-VAC AQUATECH B-SERIES combination Jet/Vac truck on a Freightliner 114SD chassis as specified below.

## **General**

The equipment covered by these specifications shall be supplied as specified and be the manufacturer's new, unused, and latest model complete with all necessary Factory equipment and accessories.

The subject equipment shall in all respects be equipped to operate legally on Oregon State Highways, night, or day, and shall in all respects conform to State and Federal regulations that apply to the equipment herein described.

All cables, hoses, and electrical wiring shall be installed and secured in a manner to obtain maximum efficiency and to protect from damage at pinch points, friction points, rotating parts, and components. All fasteners shall be equal to or exceed the maximum loads and stresses at any point where fasteners are utilized.

**Vendor MUST supply the following upon delivery:**

### **DATA PROVIDED FOR CHASSIS:**

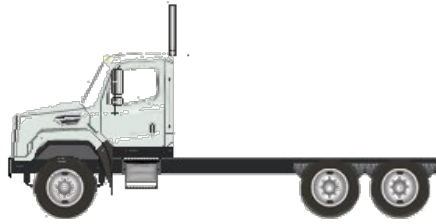
**2023 Freightliner 114SD 430 HP for HI-VAC**

Year - **2023 or current year model**

Exterior Color - **White**

Keys - **A total number of four sets for all locks**

**2023 Freightliner 114SD  
Cummins X12 430hp for HI-VAC**



**SPECIFICATION PROPOSAL**

<b>Data Code</b>	<b>Description</b>	<b>Weight Front</b>	<b>Weight Rear</b>
<b>Price Level</b>			
PRL-26D	SD PRL-26D (EFF:7/26/21)		
<b>Data Version</b>			
DRL-029	SPECPRO21 DATA RELEASE VER 029		
<b>Vehicle Configuration</b>			
001-177	114SD CONVENTIONAL CHASSIS	7,934	6,476
004-223	2023 MODEL YEAR SPECIFIED		
002-004	SET BACK AXLE - TRUCK	480	-480
019-002	STRAIGHT TRUCK PROVISION		
003-001	LH PRIMARY STEERING LOCATION		
<b>General Service</b>			
AA1-002	TRUCK CONFIGURATION		
AA6-002	DOMICILED, USA (EXCLUDING CALIFORNIA AND CARB OPT-IN STATES)		
A85-010	UTILITY/REPAIR/MAINTENANCE SERVICE		
A84-1UT	UTILITY BUSINESS SEGMENT		
AA4-002	LIQUID BULK COMMODITY		
AA5-002	TERRAIN/DUTY: 100% (ALL) OF THE TIME, IN TRANSIT, IS SPENT ON PAVED ROADS		
AB1-008	MAXIMUM 8% EXPECTED GRADE		

<b>Data Code</b>	<b>Description</b>	<b>Weight Front</b>	<b>Weight Rear</b>		
AB5-001	SMOOTH CONCRETE OR ASPHALT PAVEMENT - MOST SEVERE IN-TRANSIT (BETWEEN SITES) ROAD SURFACE				
995-1AE	FREIGHTLINER LEVEL II WARRANTY				
A66-99D	EXPECTED FRONT AXLE(S) LOAD: 16000.0 lbs.				
A68-99D	EXPECTED REAR DRIVE AXLE(S) LOAD: 46000.0 lbs.				
A63-99D	EXPECTED GROSS VEHICLE WEIGHT CAPACITY: 62000.0 lbs.				
<b>Truck Service</b>					
AA3-034	SEWER/INDUSTRIAL VACUUM BODY				
AF3-1W3	HI VAC				
<b>Engine</b>					
101-26F	CUM X12 430V HP @ 1900 RPM, 1650 LB-FT @ 1000 RPM, 2000 GOV RPM, VOC	-390	-45		
<b>Electronic Parameters</b>					
79A-069	69 MPH ROAD SPEED LIMIT				
79B-000	CRUISE CONTROL SPEED LIMIT SAME AS ROAD SPEED LIMIT				
79K-013	PTO MODE ENGINE RPM LIMIT - 1600 RPM				
79M-001	PTO MODE BRAKE OVERRIDE - SERVICE BRAKE APPLIED				
79P-002	PTO RPM WITH CRUISE SET SWITCH - 700 RPM				
79Q-002	PTO RPM WITH CRUISE RESUME SWITCH - 700 RPM				
79S-001	PTO MODE CANCEL VEHICLE SPEED - 5 MPH				
79U-007	PTO GOVERNOR RAMP RATE - 250 RPM PER SECOND				
80G-002	PTO MINIMUM RPM - 700				
80J-002	REGEN INHIBIT SPEED THRESHOLD - 5 MPH				

<b>Data Code</b>	<b>Description</b>	<b>Weight Front</b>	<b>Weight Rear</b>
<b>Engine Equipment</b>			
99C-021	2010 EPA/CARB/GHG21 CONFIGURATION		
99D-010	NO 2008 CARB EMISSION CERTIFICATION		
13E-001	STANDARD OIL PAN		
105-001	ENGINE MOUNTED OIL CHECK AND FILL		
014-1B5	SIDE OF HOOD AIR INTAKE WITH DONALDSON HIGH-CAPACITY AIR CLEANER WITH SAFETY ELEMENT, FIREWALL MOUNTED		
124-1G1	DR 12V 300 AMP 40-SI BRUSHLESS PAD MOUNT ALTERNATOR WITH REMOTE BATTERY VOLTAGE SENSE		
292-206	(3) DTNA GENUINE, FLOODED STARTING, MIN 2850CCA, 525RC, THREADED STUD BATTERIES		
290-017	BATTERY BOX FRAME-MOUNTED		
281-001	STANDARD BATTERY JUMPERS		
282-001	SINGLE BATTERY BOX FRAME MOUNTED LH SIDE UNDER CAB		
291-017	WIRE GROUND RETURN FOR BATTERY CABLES WITH ADDITIONAL FRAME GROUND RETURN		
289-001	NON-POLISHED BATTERY BOX COVER		
87P-001	CAB AUXILIARY POWER CABLE	5	
293-058	POSITIVE LOAD DISCONNECT WITH CAB-MOUNTED CONTROL SWITCH MOUNTED OUTBOARD DRIVER SEAT	10	

<b>Data Code</b>	<b>Description</b>	<b>Weight Front</b>	<b>Weight Rear</b>		
295-029	POSITIVE AND NEGATIVE POSTS FOR JUMPSTART LOCATED ON FRAME NEXT TO STARTER	2			
107-048	CUMMINS NATURALLY ASPIRATED 25.9 CFM AIR COMPRESSOR WITH INTERNAL SAFETY VALVE				
152-040	ELECTRONIC ENGINE INTEGRAL WARNING AND DERATE PROTECTION SYSTEM				
128-004	CUMMINS INTEBRAKE BRAKE WITH HIGH MED LOW BRAKE				
016-1C2	RH OUTBOARD UNDER STEP MOUNTED HORIZONTAL AFTER TREATMENT SYSTEM ASSEMBLY WITH RH B-PILLAR MOUNTED VERTICAL TAILPIPE	30	25		
28F-007	ENGINE AFTER-TREATMENT DEVICE, AUTOMATIC OVER THE ROAD ACTIVE REGENERATION AND DASH-MOUNTED SINGLE REGENERATION REQUEST/INHIBIT SWITCH				
239-038	11 FOOT 06 INCH (138 INCH+0/-5.9 INCH) EXHAUST SYSTEM HEIGHT				
237-1CR	RH CURVED VERTICAL TAILPIPE B-PILLAR MOUNTED ROUTED FROM STEP				
23U-001	6 GALLON DIESEL EXHAUST FLUID TANK	-35	-10		
30N-003	100 PERCENT DIESEL EXHAUST FLUID FILL				
23Y-001	STANDARD DIESEL EXHAUST FLUID PUMP MOUNTING				
43X-002	LH MEDIUM DUTY STANDARD DIESEL EXHAUST FLUID TANK LOCATION				

<b>Data Code</b>	<b>Description</b>	<b>Weight Front</b>	<b>Weight Rear</b>	
43Y-001	STANDARD DIESEL EXHAUST FLUID TANK CAP			
242-001	STAINLESS STEEL AFTER TREATMENT DEVICE/MUFFLER/TAILPIPE SHIELD			
273-018	HORTON DRIVEMASTER ADVANTAGE ON/OFF FAN DRIVE			
276-001	AUTOMATIC FAN CONTROL WITHOUT DASH SWITCH, NON-ENGINE MOUNTED			
110-003	CUMMINS SPIN ON FUEL FILTER			
118-008	COMBINATION FULL-FLOW/BYPASS OIL FILTER			
266-057	1500 SQUARE INCH ALUMINUM RADIATOR			
103-036	ANTIFREEZE TO -34F, ETHYLENE GLYCOL PRE-CHARGED SCA HEAVY-DUTY COOLANT			
171-007	GATES BLUE STRIPE COOLANT HOSES OR EQUIVALENT			
172-001	CONSTANT TENSION HOSE CLAMPS FOR COOLANT HOSES			
270-016	RADIATOR DRAIN VALVE			
168-002	LOWER RADIATOR GUARD	6		
138-005	PHILLIPS-TEMRO 1500 WATT/115 VOLT BLOCK HEATER	4		
140-022	CHROME ENGINE HEATER RECEPTACLE MOUNTED UNDER LH DOOR			
155-055	DELCO 12V 39MT HD/OCP STARTER WITH THERMAL PROTECTION AND INTEGRATED MAGNETIC SWITCH	-45		
<b>Transmission</b>				

<b>Data Code</b>	<b>Description</b>	<b>Weight Front</b>	<b>Weight Rear</b>	
342-1M1	ALLISON 4000 RDS AUTOMATIC TRANSMISSION WITH PTO PROVISION	260	100	
<b>Transmission Equipment</b>				
343-316	ALLISON VOCATIONAL PACKAGE 150 - AVAILABLE ON 3000/4000 PRODUCT FAMILIES WITH VOCATIONAL MODEL RDS			
84B-012	ALLISON VOCATIONAL RATING FOR ON/OFF-HIGHWAY APPLICATIONS AVAILABLE WITH ALL PRODUCT FAMILIES			
84C-023	PRIMARY MODE GEARS, LOWEST GEAR 1, START GEAR 1, HIGHEST GEAR 6, AVAILABLE FOR 3000/4000 PRODUCT FAMILIES ONLY			
84D-023	SECONDARY MODE GEARS, LOWEST GEAR 1, START GEAR 1, HIGHEST GEAR 6, AVAILABLE FOR 3000/4000 PRODUCT FAMILIES ONLY			
84E-014	S2 PERFORMANCE 2 PRIMARY SHIFT SCHEDULE, AVAILABLE FOR 3000/4000 PRODUCT FAMILIES ONLY			
84F-012	S1 PERFORMANCE SECONDARY SHIFT SCHEDULE, AVAILABLE FOR 3000/4000 PRODUCT FAMILIES ONLY			
84G-011	1950 RPM PRIMARY MODE SHIFT SPEED			
84H-012	2000 RPM SECONDARY MODE SHIFT SPEED			
84N-200	FUEL SENSE 2.0 DISABLED - PERFORMANCE – TABLE-BASED			
84U-000	DRIVER SWITCH INPUT - DEFAULT - NO SWITCHES			



<b>Data Code</b>	<b>Description</b>	<b>Weight Front</b>	<b>Weight Rear</b>		
84V-001	DIRECTION CHANGE ENABLED WITH MULTIPLEXED SERVICE BRAKES - ALLISON 5TH GEN TRANSMISSIONS				
84M-001	PUMP MODE INPUT ENABLED 3RD/4TH LOCKUP WIRED ON TCM INPUT AJ/BQ - ALLISON 5TH GEN TRANSMISSIONS				
353-065	VEHICLE INTERFACE WIRING CONNECTOR WITH BLUNT CUTS, AT BACK OF CAB				
34C-001	ELECTRONIC TRANSMISSION CUSTOMER ACCESS CONNECTOR FIREWALL MOUNTED				
341-018	MAGNETIC PLUGS, ENGINE DRAIN, TRANSMISSION DRAIN, AXLE(S) FILL, AND DRAIN				
345-003	PUSH-BUTTON ELECTRONIC SHIFT CONTROL, DASH MOUNTED				
97G-004	TRANSMISSION PROGNOSTICS - ENABLED 2013				
370-011	WATER TO OIL TRANSMISSION COOLER, FRAME-MOUNTED				
346-003	TRANSMISSION OIL CHECK AND FILL WITH ELECTRONIC OIL LEVEL CHECK				
35T-001	SYNTHETIC TRANSMISSION FLUID (TES-295 COMPLIANT)				
<b>Front Axle and Equipment</b>					
400-1A9	DETROIT DA-F-16.0-5 16,000# FL1 71.0 KPI/3.74 DROP SINGLE FRONT AXLE	190			
402-030	MERITOR 16.5X6 Q+ CAST SPIDER CAM FRONT BRAKES, DOUBLE ANCHOR, FABRICATED SHOES	10			

<b>Data Code</b>	<b>Description</b>	<b>Weight Front</b>	<b>Weight Rear</b>		
403-002	NON-ASBESTOS FRONT BRAKE LINING				
419-001	CAST IRON OUTBOARD FRONT BRAKE DRUMS				
427-001	FRONT BRAKE DUST SHIELDS	5			
409-006	FRONT OIL SEALS				
408-001	VENTED FRONT HUB CAPS WITH WINDOW, CENTER, AND SIDE PLUGS - OIL				
416-022	STANDARD SPINDLE NUTS FOR ALL AXLES				
405-007	BENDIX VERSAJUST AUTOMATIC FRONT SLACK ADJUSTERS				
406-001	STANDARD KING PIN BUSHINGS				
536-012	TRW TAS-85 POWER STEERING	40			
539-003	POWER STEERING PUMP				
534-015	2 QUART SEE-THROUGH POWER STEERING RESERVOIR				
40T-001	MINERAL SAE 80/90 FRONT AXLE LUBE				
<b>Front Suspension</b>					
620-026	16,000# TAPERLEAF FRONT SUSPENSION	200			
619-005	MAINTENANCE-FREE RUBBER BUSHINGS - FRONT SUSPENSION				
62G-998	NO FRONT SUSPENSION OPTIONS				
410-001	FRONT SHOCK ABSORBERS				
<b>Rear Axle and Equipment</b>					
420-111	RT-46-160P 46,000# R-SERIES TANDEM REAR AXLE		450		
421-489	4.89 REAR AXLE RATIO				
424-001	IRON REAR AXLE CARRIER WITH STANDARD AXLE HOUSING				

<b>Data Code</b>	<b>Description</b>	<b>Weight Front</b>	<b>Weight Rear</b>	
386-075	MXL 18T MERITOR EXTENDED LUBE MAIN DRIVELINE WITH HALF-ROUND YOKES	-10	-10	
388-073	MXL 17T MERITOR EXTENDED LUBE INTERAXLE DRIVELINE WITH HALF-ROUND YOKES			
452-006	DRIVER CONTROLLED TRACTION DIFFERENTIAL - BOTH TANDEM REAR AXLES		30	
878-023	(1) INTERAXLE LOCK VALVE, (1) DRIVER-CONTROLLED DIFFERENTIAL LOCK FORWARD-REAR AND REAR-REAR AXLE VALVE			
87A-001	BLINKING LAMP WITH EACH INTERAXLE LOCK SWITCH, INTERAXLE UNLOCK DEFAULT WITH IGNITION OFF			
87B-004	BLINKING LAMP WITH EACH MODE SWITCH, DIFFERENTIAL UNLOCK WITH IGNITION OFF, ACTIVE <5 MPH			
423-020	MERITOR 16.5X7 Q+ CAST SPIDER CAM REAR BRAKES, DOUBLE ANCHOR, FABRICATED SHOES			
433-002	NON-ASBESTOS REAR BRAKE LINING			
434-011	BRAKE CAMS AND CHAMBERS ON FORWARD SIDE OF DRIVE AXLE(S)			
451-023	CONMET CAST IRON REAR BRAKE DRUMS		20	
425-002	REAR BRAKE DUST SHIELDS		10	
440-006	REAR OIL SEALS			
426-1B3	BENDIX EVERSURE LONG-STROKE 2-DRIVE AXLES SPRING PARKING CHAMBERS			

<b>Data Code</b>	<b>Description</b>	<b>Weight Front</b>	<b>Weight Rear</b>	
428-007	BENDIX VERSAJUST AUTOMATIC REAR SLACK ADJUSTERS			
41T-001	MINERAL SAE 80/90 REAR AXLE LUBE			
42T-001	STANDARD REAR AXLE BREATHING(S)			
<b>Rear Suspension</b>				
622-298	TUFTRAC GEN2 46,000# REAR SPRING SUSPENSION		280	
621-108	9.5 INCH NOMINAL RIDE HEIGHT (460MM GLOBAL REFERENCE HEIGHT)			
431-003	AXLE CLAMPING GROUP			
624-025	55 INCH AXLE SPACING			
623-006	FORE/AFT AND TRANSVERSE CONTROL RODS			
439-001	REAR SHOCK ABSORBERS - ONE AXLE			

<b>Data Code</b>	<b>Description</b>	<b>Weight Front</b>	<b>Weight Rear</b>	
<b>Brake System</b>				
490-101	WABCO 4S/4M ABS WITH TRACTION CONTROL, WITH ATC OFF-ROAD SWITCH			
871-001	REINFORCED NYLON, FABRIC BRAID, AND WIRE BRAID CHASSIS AIR LINES			
904-001	FIBER BRAID PARKING BRAKE HOSE			
412-001	STANDARD BRAKE SYSTEM VALVES			
46D-002	STANDARD AIR SYSTEM PRESSURE PROTECTION SYSTEM			
413-002	STD U.S. FRONT BRAKE VALVE			

	432-003	RELAY VALVE WITH 5-8 PSI CRACK PRESSURE, NO REAR PROPORTIONING VALVE			
	480-088	WABCO SYSTEM SAVER HP WITH INTEGRAL AIR GOVERNOR AND HEATER			
	479-005	AIR DRYER MOUNTED INBOARD ON RH RAIL			
	460-1AU	STEEL AIR TANKS MOUNTED AFT INSIDE AND/OR BELOW FRAME JUST FORWARD OF REAR SUSPENSION, NO TRIPLE OR TORPEDO TANKS			
	607-001	CLEAR FRAME RAILS FROM BACK OF CAB TO FRONT REAR SUSPENSION BRACKET, BOTH RAILS OUTBOARD			
	477-001	PULL CABLE ON WET TANK, PETCOCK DRAIN VALVES ON ALL OTHER AIR TANKS			
<b>Trailer Connections</b>					
	335-004	UPGRADED CHASSIS MULTIPLEXING UNIT			
<b>Wheelbase &amp; Frame</b>					
	545-572	5725MM (225 INCH) WHEELBASE			
	546-102	7/16X3-9/16X11-1/8 INCH STEEL FRAME (11.11MMX282.6MM/0.437X11.13 INCH) 120KSI	530	110	
	547-001	1/4 INCH (6.35MM) C-CHANNEL INNER FRAME REINFORCEMENT	230	410	
	552-028	1525MM (60 INCH) REAR FRAME OVERHANG			
	55W-005	FRAME OVERHANG RANGE: 51 INCHES TO 60 INCHES	20	-80	
	<b>Data Code</b>	<b>Description</b>	<b>Weight Front</b>	<b>Weight Rear</b>	

	AC8-99D	CALC'D BACK OF CAB TO REAR SUSP C/L (CA): 159.84 in			
	AE8-99D	CALCULATED EFFECTIVE BACK OF CAB TO REAR SUSPENSION C/L (CA): 156.84 in			
	AE4-99D	CALC'D FRAME LENGTH - OVERALL: 315.51 in			
	FSS-0LH	CALCULATED FRAME SPACE LH SIDE: 80.71 in			
	FSS-0RH	CALCULATED FRAME SPACE RH SIDE: 183.78 in			
	553-001	SQUARE END OF FRAME			
	587-003	REAR TOW HOOKS		10	
	550-001	FRONT CLOSING CROSSMEMBER			
	559-001	STANDARD WEIGHT ENGINE CROSSMEMBER			
	562-001	STANDARD MIDSHIP #1 CROSSMEMBER(S)			
	572-001	STANDARD REARMOST CROSSMEMBER			
	565-002	HEAVY-DUTY SUSPENSION CROSSMEMBER		30	
<b>Chassis Equipment</b>					
	556-1E5	14 INCH PAINTED STEEL BUMPER	20		
	558-070	REMOVABLE FRONT TOW/RECOVERY DEVICE, STORED ON CHASSIS FRAME	15		
	574-001	BUMPER MOUNTING FOR SINGLE LICENSE PLATE			
	551-017	GRADE 8 THREADED HEX HEADED FRAME FASTENERS INSTALLED WITH BOLT HEADS ON OUTSIDE OF FRAME			
	605-103	D15-28195-000 CENTER PUNCH TO MARK CENTERLINE OF REAR SUSPENSION ON TOP FLANGE OF FRAME			
<b>Fuel Tanks</b>					

	204-152	70 GALLON/264 LITER ALUMINUM FUEL TANK - LH	5		
	218-006	25 INCH DIAMETER FUEL TANK(S)			
	215-005	PLAIN ALUMINUM/PAINTED STEEL FUEL/HYDRAULIC TANK(S) WITH PAINTED BANDS			
	212-007	FUEL TANK(S) FORWARD			
	232-510	10 GALLONS ADDITIONAL FUEL			
	664-001	PLAIN STEP FINISH			
	205-001	FUEL TANK CAP(S)			
	<b>Data Code</b>	<b>Description</b>	<b>Weight Front</b>	<b>Weight Rear</b>	
	122-075	ALLIANCE FUEL FILTER/WATER SEPARATOR	15		
	216-020	EQUIFLO INBOARD FUEL SYSTEM			
	202-016	HIGH TEMPERATURE REINFORCED NYLON FUEL LINE			
<b>Tires</b>					
	093-1RJ	MICHELIN X WORKS Z 315/80R22.5 20 PLY RADIAL FRONT TIRES	100		
	094-1UY	MICHELIN X MULTI D 11R22.5 16 PLY RADIAL REAR TIRES		120	
<b>Hubs</b>					
	418-060	CONMET PRESET PLUS PREMIUM IRON FRONT HUBS			
	450-060	CONMET PRESET PLUS PREMIUM IRON REAR HUBS			
<b>Wheels</b>					
	502-433	ACCURIDE 29039 22.5X9.00 10-HUB PILOT 5.25 INSET 5-HAND STEEL DISC FRONT WHEELS	66		
	505-657	ACCURIDE 51408 ACCU-LITE 22.5X8.25 10-HUB PILOT 2-HAND STEEL DISC REAR WHEELS			
	496-011	FRONT-WHEEL MOUNTING NUTS			
	497-011	REAR-WHEEL MOUNTING NUTS			

	495-998	NO PUSHER/TAG WHEEL MOUNTING NUTS			
<b>Cab Exterior</b>					
	829-1A2	114 INCH BBC FLAT ROOF ALUMINUM CONVENTIONAL CAB			
	650-008	AIR CAB MOUNTING			
	648-002	NONREMOVABLE BUG SCREEN MOUNTED BEHIND GRILLE			
	667-004	FRONT FENDERS SET-BACK AXLE			
	754-017	BOLT-ON MOLDED FLEXIBLE FENDER EXTENSIONS	10		
	678-001	LH AND RH GRAB HANDLES			
	645-002	BRIGHT FINISH RADIATOR SHELL/HOOD BEZEL			
	646-042	STATIONARY BLACK GRILLE WITH BRIGHT ACCENTS			
	65X-003	CHROME HOOD MOUNTED AIR INTAKE GRILLE			
	644-004	FIBERGLASS HOOD			
	690-016	CAB FLOOR, TOE BOARD, AND FIREWALL HEATSHIELD	5		
	<b>Data Code</b>	<b>Description</b>	<b>Weight Front</b>	<b>Weight Rear</b>	
	727-1AF	SINGLE 14 INCH ROUND HADLEY AIR HORN UNDER LH DECK			
	726-001	SINGLE ELECTRIC HORN			
	728-001	SINGLE HORN SHIELD			
	657-001	DOOR LOCKS AND IGNITION SWITCH KEYED THE SAME			
	78G-004	KEY QUANTITY OF 4			
	575-001	REAR LICENSE PLATE MOUNT END OF FRAME			
	312-067	HALOGEN COMPOSITE HEADLAMPS WITH BRIGHT BEZELS			
	302-047	LED AERODYNAMIC MARKER LIGHTS			



	311-012	DAYTIME RUNNING LIGHTS - LOW BEAM ONLY			
	294-001	INTEGRAL STOP/TAIL/BACKUP LIGHTS			
	300-015	STANDARD FRONT TURN SIGNAL LAMPS			
	744-1BC	DUAL WEST COAST BRIGHT FINISH HEATED MIRRORS WITH LH AND RH REMOTE			
	797-001	DOOR MOUNTED MIRRORS			
	796-001	102 INCH EQUIPMENT WIDTH			
	743-204	LH AND RH 8 INCH BRIGHT FINISH CONVEX MIRRORS MOUNTED UNDER PRIMARY MIRRORS			
	74A-001	RH DOWN VIEW MIRROR			
	729-001	STANDARD SIDE/REAR REFLECTORS			
	768-043	63X14 INCH TINTED REAR WINDOW			
	661-004	TINTED DOOR GLASS LH AND RH WITH TINTED OPERATING WING WINDOWS			
	654-027	RH AND LH ELECTRIC POWERED WINDOWS, PASSENGER SWITCHES ON DOOR(S)	4		
	663-013	1-PIECE SOLAR GREEN GLASS WINDSHIELD			
	659-019	2 GALLON WINDSHIELD WASHER RESERVOIR WITHOUT FLUID LEVEL INDICATOR, FRAME-MOUNTED			
<b>Cab Interior</b>					
	707-1AK	OPAL GRAY VINYL INTERIOR			
	706-026	MOLDED PLASTIC DOOR PANEL WITHOUT VINYL INSERT WITH ALUMINUM KICKPLATE LOWER DOOR			
	<b>Data Code</b>	<b>Description</b>	<b>Weight Front</b>	<b>Weight Rear</b>	

708-026	MOLDED PLASTIC DOOR PANEL WITHOUT VINYL INSERT WITH ALUMINUM KICKPLATE LOWER DOOR			
772-006	BLACK MATS WITH SINGLE INSULATION			
785-001	DASH-MOUNTED ASHTRAYS AND LIGHTER			
691-008	FORWARD ROOF-MOUNTED CONSOLE WITH UPPER STORAGE COMPARTMENTS WITHOUT NETTING			
694-010	IN-DASH STORAGE BIN			
696-012	CENTER STORAGE CONSOLE MOUNTED ON BACK WALL	20		
742-007	(2) CUP HOLDERS LH AND RH DASH			
680-006	GRAY/CHARCOAL FLAT DASH			
860-004	SMART SWITCH EXPANSION MODULE			
720-003	5 LB. FIRE EXTINGUISHER	10		
700-002	HEATER, DEFROSTER, AND AIR CONDITIONER			
701-001	STANDARD HVAC DUCTING			
703-005	MAIN HVAC CONTROLS WITH RECIRCULATION SWITCH			
689-804	PREP KIT FOR CUSTOMER INSTALLED AUXILIARY HEATER, PLUMBING FROM ENGINE TO RAIL UNDER CAB WITH SHUTOFF VALVES	25		
170-015	STANDARD HEATER PLUMBING			
130-041	VALEO HEAVY-DUTY A/C REFRIGERANT COMPRESSOR			
702-002	BINARY CONTROL, R-134A			
739-034	PREMIUM INSULATION			
285-013	SOLID-STATE CIRCUIT PROTECTION AND FUSES			
280-007	12V NEGATIVE GROUND ELECTRICAL SYSTEM			

	324-011	DOME DOOR ACTIVATED LH AND RH, DUAL READING LIGHTS, FORWARD CAB ROOF			
	655-005	LH AND RH ELECTRIC DOOR LOCKS			
	284-023	(1) 12 VOLT POWER SUPPLY IN DASH			
	722-002	TRIANGULAR REFLECTORS WITHOUT FLARES	10		

	Data Code	Description	Weight Front	Weight Rear	
	756-339	PREMIUM ISRINGHAUSEN HIGH BACK AIR SUSPENSION DRIVERS SEAT WITH 2 AIR LUMBAR, INTEGRATED CUSHION EXTENSION, TILT, AND ADJUSTABLE SHOCK	70		
	760-338	BASIC ISRINGHAUSEN HIGH BACK AIR SUSPENSION PASSENGER SEAT WITH MECHANICAL LUMBAR AND INTEGRATED CUSHION EXTENSION	25	10	
	759-005	DUAL DRIVER AND PASSENGER SEAT ARMRESTS	8		
	711-004	LH AND RH INTEGRAL DOOR PANEL ARMRESTS			
	758-036	VINYL WITH VINYL INSERT DRIVER SEAT			
	761-036	VINYL WITH VINYL INSERT PASSENGER SEAT			
	763-101	BLACK SEAT BELTS			
	532-002	ADJUSTABLE TILT AND TELESCOPING STEERING COLUMN	10		
	540-015	4-SPOKE 18 INCH (450MM) STEERING WHEEL			
	765-002	DRIVER AND PASSENGER INTERIOR SUN VISORS			
<b>Instruments &amp; Controls</b>					

	732-004	GRAY DRIVER INSTRUMENT PANEL			
	734-004	GRAY CENTER INSTRUMENT PANEL			
	87L-003	ENGINE REMOTE INTERFACE WITH PARK BRAKE AND NEUTRAL INTERLOCKS			
	870-001	BLACK GAUGE BEZELS			
	486-001	LOW AIR PRESSURE INDICATOR LIGHT AND AUDIBLE ALARM			
	840-002	2 INCH PRIMARY AND SECONDARY AIR PRESSURE GAUGES			
	198-025	INTAKE MOUNTED AIR RESTRICTION INDICATOR WITHOUT GRADUATIONS			
	721-001	97 DB BACKUP ALARM		3	
	149-013	ELECTRONIC CRUISE CONTROL WITH SWITCHES IN LH SWITCH PANEL			
	156-007	KEY OPERATED IGNITION SWITCH AND INTEGRAL START POSITION; 4 POSITION OFF/RUN/START/ACCESSORY			
	<b>Data Code</b>	<b>Description</b>	<b>Weight Front</b>	<b>Weight Rear</b>	
	811-042	ICU3S, 132X48 DISPLAY WITH DIAGNOSTICS, 28 LED WARNING LAMPS, AND DATA LINKED			
	160-038	HEAVY-DUTY ONBOARD DIAGNOSTICS INTERFACE CONNECTOR LOCATED BELOW LH DASH			
	844-001	2 INCH ELECTRIC FUEL GAUGE			
	148-071	ENGINE REMOTE INTERFACE WITH INCREMENT/DECREMENT			
	163-001	ENGINE REMOTE INTERFACE CONNECTOR AT BACK OF CAB			

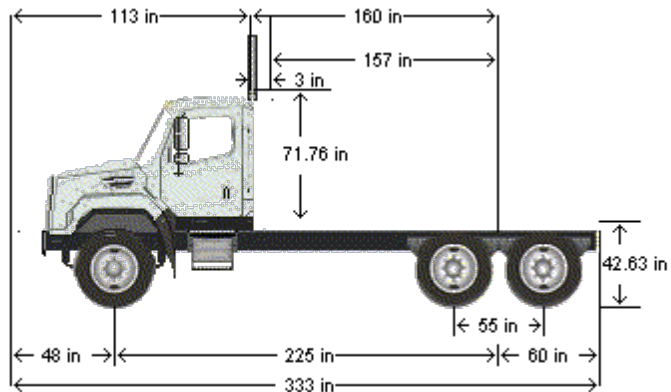
856-001	ELECTRICAL ENGINE COOLANT TEMPERATURE GAUGE			
864-005	TRANSMISSION OIL TEMPERATURE INDICATOR LIGHT			
830-017	ENGINE AND TRIP HOUR METERS INTEGRAL WITHIN DRIVER DISPLAY			
852-002	ELECTRIC ENGINE OIL PRESSURE GAUGE			
679-001	OVERHEAD INSTRUMENT PANEL			
746-137	AM/FM/WB WORLD TUNER RADIO WITH BLUETOOTH, USB, AND AUXILIARY INPUTS, J1939	10		
747-001	DASH-MOUNTED RADIO			
750-002	(2) RADIO SPEAKERS IN CAB			
753-001	AM/FM ANTENNA MOUNTED ON FORWARD LH ROOF			
810-027	ELECTRONIC MPH SPEEDOMETER WITH SECONDARY KPH SCALE, WITHOUT ODOMETER			
817-001	STANDARD VEHICLE SPEED SENSOR			
812-001	ELECTRONIC 3000 RPM TACHOMETER			
813-998	NO VEHICLE PERFORMANCE MONITOR	-5		
162-002	IGNITION SWITCH CONTROLLED ENGINE STOP			
329-090	(10) IGN CONTROLLED EXTRA SWITCHES WITH IND LIGHTS WIRED TO POWER DIST BOX WITH RELAYS PROVIDING 20 AMPS PER CIRCUIT TO JUNCTION BLOCK AND 1 CIRCUIT AT 30 AMPS			
81Y-001	PRE-TRIP LAMP INSPECTION, ALL OUTPUTS FLASH, WITH SMART SWITCH			

	<b>Data Code</b>	<b>Description</b>	<b>Weight Front</b>	<b>Weight Rear</b>	
	836-015	DIGITAL VOLTAGE DISPLAY INTEGRAL WITH DRIVER DISPLAY			
	660-025	SINGLE ELECTRIC WINDSHIELD WIPER MOTOR WITH DELAY PROGRAMMED TO SLOWEST SPEED WITH PARK BRAKE SET			
	304-001	MARKER LIGHT SWITCH INTEGRAL WITH HEADLIGHT SWITCH			
	882-009	ONE VALVE PARKING BRAKE SYSTEM WITH A WARNING INDICATOR			
	299-013	SELF CANCELING TURN SIGNAL SWITCH WITH DIMMER, WASHER/WIPER, AND HAZARD IN HANDLE			
	298-039	INTEGRAL ELECTRONIC TURN SIGNAL FLASHER WITH HAZARD LAMPS OVERRIDING STOP LAMPS			
<b>Design</b>					
	065-000	PAINT: ONE SOLID COLOR			
<b>Color</b>					
	980-5F6	CAB COLOR A: L0006EY WHITE ELITE EY			
	986-020	BLACK, HIGH SOLIDS POLYURETHANE CHASSIS PAINT			
	962-972	POWDER WHITE (N0006EA) FRONT WHEELS/RIMS (PKWHT21, TKWHT21, W, TW)			
	966-972	POWDER WHITE (N0006EA) REAR WHEELS/RIMS (PKWHT21, TKWHT21, W, TW)			
	964-6Z7	BUMPER PAINT: FP24812 ARGENT SILVER DUPONT FLEX			
	963-003	STANDARD E COAT/UNDERCOATING			

Certification / Compliance					
	996-001	U.S. FMVSS CERTIFICATION, EXCEPT SALES CABS AND GLIDER KITS			

Secondary Factory Options					
	Data Code	Description	Weight Front	Weight Rear	
	998-001	CORPORATE PDI CENTER IN-SERVICE ONLY			
Raw Performance Data					
	Data Code	Description	Weight Front	Weight Rear	
	AE8-99D	CALCULATED EFFECTIVE BACK OF CAB TO REAR SUSPENSION C/L (CA): 156.84 in			
Extended Warranty					
	WAG-009	TOWING: 6 MONTHS/UNLIMITED MILES/KM EXTENDED TOWING COVERAGE \$550 CAP FEX APPLIES			

### DIMENSIONS



**VEHICLE SPECIFICATIONS SUMMARY - DIMENSIONS**

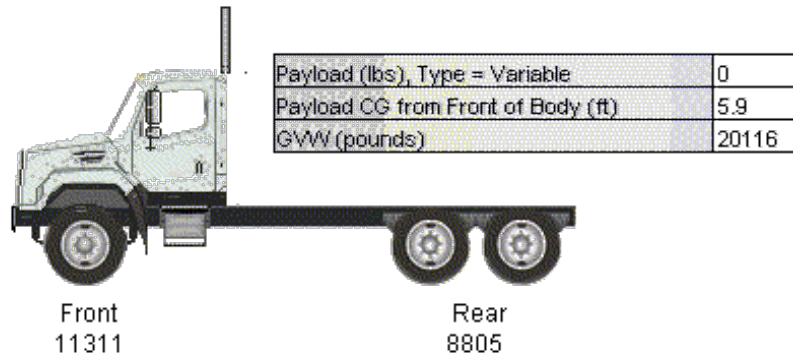
Model ..... 114SD  
 Wheelbase (545) ..... 5725MM (225 INCH) WHEELBASE  
 Rear Frame Overhang (552) ..... 1525MM (60 INCH) REAR FRAME OVERHANG  
 Fifth Wheel (578).....NO FIFTH WHEEL  
 Mounting Location (577)..... NO FIFTH WHEEL LOCATION  
 Maximum Forward Position (in).....0  
 Maximum Rearward Position (in) .....0  
 Amount of Slide Travel (in).....0  
 Slide Increment (in) .....0  
 Desired Slide Position (in) .....0.0  
 Cab Size (829) ..... 114 INCH BBC FLAT ROOF ALUMINUM CONVENTIONAL CAB  
 Sleeper (682).....NO SLEEPER BOX/SLEEPER CAB  
 Exhaust System (016)RH OUTBOARD UNDER STEP MOUNTED HORIZONTAL  
 AFTER-TREATMENT SYSTEM ASSEMBLY WITH RH B-PILLAR MOUNTED VERTICAL  
 TAILPIPE

**TABLE SUMMARY - DIMENSIONS**

Dimensions	Inches
Bumper to Back of Cab (BBC)	113.4
Bumper to Centerline of Front Axle (BA)	47.9
Min. Cab to Body Clearance (CB)	3.0
Back of Cab to Centerline of Rear Axle(s) (CA)	159.8
Effective Back of Cab to Centerline of Rear Axle(s) (Effective CA)	156.8
Back of Cab Protrusions (Exhaust/Intake) (CP)	2.0
Back of Cab Protrusions (Side Extenders/Trim Tab) (CP)	0.0
Back of Cab Protrusions (CNG Tank)	0.0
Back of Cab Clearance (CL)	3.0
Back of Cab to End of Frame	219.8
Cab Height (CH)	71.8
Wheelbase (WB)	225.4
Frame Overhang (OH)	60.0
Overall Frame Length	315.5
Overall Length (OAL)	333.3
Rear Axle Spacing	55.0
Unladen Frame Height at Centerline of Rear Axle	42.6



## TRUCK WEIGHT



### VEHICLE SPECIFICATIONS SUMMARY - TRUCK WEIGHT

Model .....	114SD
Cab Size (829) .....	114 INCH BBC FLAT ROOF ALUMINUM CONVENTIONAL CAB
Expected Front Axle(s) Load (lbs) .....	16000.0
Expected Pusher Axle(s) Load (lbs) .....	0.0
Expected Rear Axle(s) Load (lbs) .....	46000.0
Expected Tag Axle(s) Load (lbs) .....	0.0
Expected GVW (lbs) .....	62000
Expected GCW (lbs) .....	0.0
Wheelbase (545) .....	5725MM (225 INCH) WHEELBASE
Pusher / Tag Axle (443) .....	NO PUSHER OR TAG AXLE
Front Axle to Back of Cab (in) .....	65.551
Cab to Body Clearance (in) .....	3.0
Front Axle to Body (in) .....	68.551
Truck Configuration (AA3) .....	SEWER/INDUSTRIAL VACUUM BODY
Body Length (ft) .....	11.8
Body Weight (lbs) .....	1700.0
Body Horiz CG from Body Front (ft) .....	5.5
Body Front to Rear Axle(s) CL (ft) .....	13.07
Driver Weight (lbs) .....	500.0
Driver Horizontal CG from Front Axle (in) .....	39.18
Left-Hand Primary Fuel/Hydraulic Tank (204)70 GALLON/264 LITER ALUMINUM FUEL TANK - LH	
Left Fuel Tank Horizontal CG (in) .....	95.984
Right-Hand Primary Fuel/Hydraulic Tank (206) .....	NO RH FUEL TANK
Right Fuel Tank Horizontal CG (in) .....	0

**TABLE SUMMARY - TRUCK WEIGHT**

Item	Front(s)	Rear(s)	Total
Chassis Tare	9899	7459	17358
Fuel / Oil	314	244	558
Driver	413	87	500
Dealer Installed Options	0	0	0
Accessories Total	0	0	0
Body Tare	685	1015	1700
<b>Truck Tare Weight</b>	<b>11311</b>	<b>8805</b>	<b>20116</b>
Payload Total	0	0	0
<b>Calculated Axle Loads</b>	<b>11311</b>	<b>8805</b>	<b>20116</b>
Expected Axle Loads / GVW	16000	46000	62000
GAWR / GVWR	16000	46000	62000
Payload CG From Front of Body		5.9 feet	
Payload CG From Front Axle		11.6 feet	
Payload Distribution		Variable	
All weights displayed in pounds			

**DATA PROVIDED FOR BODY-HIVAC AQUATECH B-SERIES:**

**Body Specification**

0. BODY

Qty	Item	Description
1.00	B10	10 ds. of Debris, 1150 Gallons of Water Rear Reel Combination Unit

1. VACUUM SYSTEM

Qty	Item	Description
1.00	STD-0013	Reinforced Poly-Chain Drive System
1.00	STD-0014	Blower Engagement at Operators Station
1.00	STD-0015	Mounted Stainless Steel Final Filter
1.00	STD-0016	Vacuum Relief Valves
1.00	STD-0017	Vacuum Gauge at Operators Station
1.00	134000000	ROOTS Model 824 5197 CFM, 18" Hg

## 1.1 WATER SYSTEM

Qty	Item	Description
1.00	STD-0018	Side Handgun Connection
1.00	STD-0013	Reinforced Poly-Chain Drive System
1.00	STD-0020	Water Pump Air Purge Valve
1.00	STD-0021	Pressure Relief Valve Shall be Installed to Protect the Pump
1.00	A384024-80	80 GPM @ 2000 PSI Water System
1.00	121002495	1/2" x 75' High-Pressure Gun & Hose Assembly with Spring Retracting Reel
1.00	A215555-23	Unloader Control System Side & Rear
1.00	A239902	Water Purge/Blow Out System

## 1.2 DEBRIS TANK

Qty	Item	Description
1.00	300003522	Tank Top Access Ladder
1.00	STD-0119	10 yd. Debris Tank Capacity
1.00	STD-0023	56,000 lb. Double-Acting Dump Hoist
1.00	STD-0024	Top Hinged Hydraulic Open/Close Rear Door
1.00	STD-0025	4 - Individual Hydraulic Cylinder Door Locks
1.00	STD-0026	2 - Debris Level Sight Eyes Located in Rear Door
1.00	STD-0027	Stainless Steel Ball Check Valve with Air Deflector Screen
1.00	NS-0028	Rear Door Splash Shield
1.00	STD-0029	Rear Door Safety Prop
1.00	NS-0030	6" Rear Drain Valve in Rear Door with 15' x 6" Lay-Flat Hose
1.00	A388575	Rear Tow Hooks
1.00	A000401	Anti-Slip Tape on Tank Top
1.00	STD-0033	Stainless Steel Fenders
1.00	NS-0034	Tank Access Steps to Boom Cleanout
1.00	121006209	Removable Decant Hose with Disconnect & Cap
1.00	121005979	Dual Floor Flushers & Tank Flush
1.00	300002178	300 GPM Pump-Off System

### 1.3 WATER TANKS

Qty	Item	Description
1.00	STD-0038	Heavy Duty Water Fill with Anti-Siphon Air Gap & 2" Y-Strainer
1.00	STD-0074	3" Y-strainer at Water Pump with Drain
1.00	STD-0075	Fill Hose Storage Basket
1.00	STD-0081	3/8" Thick Polyethylene UV Stabilized Graphite Water Tanks with 1,150 Gallon Capacity
1.00	STD-0036	Self-Cleaning Tank Design with 2.5" Quick Opening Drain
1.00	300005200	Water Level Sight Gauge

### 1.4 BOOMS

Qty	Item	Description
1.00	STD-0041	Top-Loading Boom Design One Piece HD Rubber Debris Hose
1.00	STD-0042	Slewing Gear Power Rotation with 360 Degree Rotation
1.00	STD-0043	Hydraulic Power Up/Down Rear Boom Storage
1.00	NS-0077	Boom Mounted Internal Air/Vac Valve (Flapper Valve)
1.00	STD-0045	Boom Clean Out Port
1.00	200041001	8" x 23' Ball & Socket Extendable Boom

### 1.5 HOSE REEL

Qty	Item	Description
1.00	STD-0046	Hydraulically Articulated 180 Degree Street to Curb Rotation
1.00	STD-0047	Hose Reel Rotation Controlled via Electric/Hydraulic Control
1.00	A176110	20' Leader Hose
1.00	A175271-Cobra	Sewer Hose 1" x 800' 2500 PSI
1.00	A338664-7	Digital footage counter

### 1.6 STORAGE

Qty	Item	Description
1.00	121005547	Step Toolbox

## 1.7 CONTROLS

Qty	Item	Description
1.00	STD-0050	Wireless Remote with LCD Display
1.00	STD-0051	6 Position Joystick Boom Control Mounted at Control Station
1.00	STD-0052	Chassis Tachometer
1.00	STD-0053	Vacuum Gauge
1.00	STD-0054	Hose Reel Speed Control
1.00	STD-0055	Water Pressure Gauge
1.00	STD-0056	Electronic Engine Throttle Control
1.00	STD-0057	Boom Up Warning Light & Alarm
1.00	STD-0058	Low Water Warning Light & Alarm
1.00	STD-0059	12 Volt Electrical Outlet at Panel
1.00	STD-0061	Back-Up Alarm
1.00	121004478	Foot Pedal Control
1.00	STD-0150	Blower Hour Meter
1.00	STD-0151	Water Pump Hour Meter
1.00	121006420	Dual Camera Split Monitor Reversing System

## 1.7 LIGHTING

Qty	Item	Description
1.00	STD-0062	Boom Clearance Lights
1.00	STD-0063	LED Style DOT Lighting
1.00	A120101-LED	Control Panel Lights
1.00	121001375	Handheld LED Spotlight
1.00	121002367	Dual Amber Strobe Lights Rear Debris Tank with Guard
1.00	121002482	Strobe Light left Front Debris Tank with Guard
1.00	121002484	Strobe Light Right Front Debris Tank with Guard
1.00	A120101-LED/SIDE	Side Operators Station Floodlight
1.00	A120378-3-LED	Boom Flood Lights
1.00	A120395-5	Amber LED Arrow Board Top Rear Tank

## 1.8 MISCELLANEOUS

Qty	Item	Description
1.00	PAINT-WHITE	White Paint
1.00	A176150	25' x 2 1/2" Hydrant Fill Hose

1.00	A220260-CH-NC	Traffic Cone Holder (NO Cones)
1.00	A220330	Hydrant Wrench

## 2. TUBES

Qty	Item	Description
1.00	STD-0067	1 - Intake Tube 6'
1.00	STD-0068	1 - Extension Tube 6'

### 2.1 BALL & SOCKET TUBES

Qty	Item	Description
3.00	A383964	Extension Tube 8" x 6' Ball & Socket

### 2.2 NOZZLES

Qty	Item	Description
1.00	STD-0069	1 - 15 Degree Nozzle
1.00	STD-0070	1 - 30 Degree Nozzle
1.00		Custom Toolboxes, Tube Racks & Side Trays
1.00		Delivery and Training

## CHASSIS SPECIFICATION

VENDOR SHALL SUBMIT DESCRIPTIVE LITERATURE FOR THE MODEL QUOTED

- Vendor to supply repair and operators' manuals upon delivery of the vehicle.
- Vendor shall supply warranty contact information for all systems on the vehicle.
- Vendor to supply all Engine and Transmission diagnostic Software/Hardware needed for troubleshooting purposes.
- Vendor shall mount tube rack on the front bumper, not on the back of the cab.
- All tubes shall have their clamps "built-in", not separate clamp piece styles.
- Vendor shall install hand reel on the passenger side of the vehicle location to be determined during vehicle build by the Street Division Superintendent.
- Vendor to install Nozzle "toolbox" on the driver's rear of the truck-exact location and size to be determined during vehicle build by the Street Division Superintendent.
- Vendor to install a rack for shoe on the driver's side of the vehicle- location to be determined during vehicle build by the Street Division Superintendent.
- Vendor to install fill hose rack on the passenger's side of the vehicle- location to be determined during vehicle build by the Street Division Superintendent.
- Vendor to supply one day of onsite field training to City staff members upon delivery.
- Vehicle is to be delivered to The City of Grants Pass Oregon Public Works Yard located at 650 SE H Street, Grants Pass Oregon, 97526.

## Quote Requirements

The deadline for submission in response to this RFQ is **Wednesday, March 16, 2022**, no later than **4:00 pm** local time. The Quotes should be directed to the following:

**City of Grants Pass  
HI-VAC Combination Jet/VacTruck  
Attn: Karen Frerk  
City Recorder  
101 NW 'A' Street  
Grants Pass, OR 97526**

The quote should consist of:

- Detailed specifications

The submission shall include 6 hard copies of your Quote.

### Additional information

For information regarding this RFQ contact the City of Grants Pass Public Works by calling Ari Omessi, Public Works Fleet Superintendent at (541) 450-6170 or [aomessi@grantspassoregon.gov](mailto:aomessi@grantspassoregon.gov)

### Schedule

February 16, 2022	Release date of RFQ
February 23, 2022	Questions for RFQ due to City of Grants Pass by 4:00 p.m.
March 2, 2022	Responses to questions posted at <a href="https://www.grantspassoregon.gov/">https://www.grantspassoregon.gov/</a>
March 16, 2022	RFQ responses are due no later than 4:00 p.m.
March 23, 2022	Letters to the firm selected, to firms not selected are faxed and mailed
April/May 2022	Item goes before Grants Pass City Council requesting approval of the RFQ proposer selected