
ADDENDUM NO. 2

to **CONTRACT DOCUMENTS** for

Beacon Drive Waterline
Project No. WA6409
Grants Pass, Oregon 97526

To All Plan Holders:

The following changes, additions, and/or deletions are hereby made a part of the Contract Documents for the construction of the Beacon Drive Waterline, Project No. WA6409, Grants Pass, Oregon, as fully and completely as if the same were fully set forth therein:

1. ON THE CONSTRUCTION PLANS...

- On Sheet No. 4
 - Water Main Pipe and Fitting Notes:
 - #9. (1) – 12" x 8" DI TEE (RJxFL)
 - (1) – 8" GATE VALVE (FLxRJ)

 - #22. (1) – 12" x 8" DI TEE (RJxFL)
 - (1) - 12" GATE VALVE (FLxRJ)
- On Sheet No. 5
 - Water Main Pipe and Fitting Notes:
 - #37. (1) – 12" x 8" DI TEE (RJxFL)
 - (1) – 12" GATE VALVE (FLxRJ)
- On Sheet No. 6
 - Water Main Pipe and Fitting Note:
 - #43. (1) – 12" x 8" DI TEE (RJxFL)
 - (1) – 12" GATE VALVE (FLxRJ)

 - #49. (1) – 12" x 8" DI TEE (RJxFL)
 - (1)– 12" GATE VALVE (FLxRJ)
- On Sheet No. 7
 - Water Main Pipe and Fitting Note:
 - #57. (1) – 12" x 8" DI TEE (RJxFL)

 - #65. (1) – 12" x 8" DI TEE (RJxFL)
 - (1)– 12" GATE VALVE (FLxRJ)
 - (1) – 8" GATE VALVE (FLxRJ)
- On Sheet No. 8
 - Water Main Pipe and Fitting Note:
 - #83. (1) – 12" x 8" DI TEE (RJxFL)
 - (1)– 12" GATE VALVE (FLxRJ)
- On Sheet No. 14
 - Pavement Structural Section Notes:
 - 3. Place AC Mix minimum thickness of 2". Compact as specified.
- On Sheet No. 13
 - Connection to existing system at NE Churchill St and NE Beacon Dr:
 - Corrected to show 8" connection to existing 6" connection.

2. IN THE CONTRACT DOCUMENTS...

Bid Proposal - Bid Schedule: - The following bid items have been revised or added.

9	4" C900 PVC Sanitary Sewer Pipe (if necessary @ WTR X-ING) per approved plans and APWA/ODOT Sec. 00445.			
	20	LF		
10	8" C900 PVC Sanitary Sewer Pipe (if necessary @ WTR X-ING) per approved plans and APWA/ODOT Sec. 00445.			
	20	LF		
11	Trench Resurfacing , per approved plans and APWA/ODOT Sec. 00495.			
	220	TN	\$	\$
27	Re-Plumbing to Individual Houses , as per Oregon Plumbing Specialty Code.			
	1	LS	\$	\$
28	Potable Water Service Connection, 2" and Smaller , per approved plans, GP274 and APWA/ODOT Sec. 01170, installed, complete. Includes PRV's, Customer Valves, Meter Boxes and Thermal Expansion Tanks, installed, complete.			
	40	EA	\$	\$

ATTACHED ARE THE FOLLOWING:

- REVISED PAGES OF THE BID SCHEDULE (3 PAGES)
- REVISED SHEET NO. 13 OF CONSTRUCTION PLANS (1 PAGE)

PLEASE USE THESE REPLACEMENT PAGES WHEN SUBMITTING YOUR BID.

All Bidders shall acknowledge receipt and acceptance of this Addendum No. 2 by signing in the space provided and submitting the signed Addendum with the bid. Bids submitted without this Addendum will be considered irregular and may not be accepted.

RECEIPT OF THIS ADDENDUM IS ACKNOWLEDGED AND CONDITIONS ARE HEREBY

AGREED TO THIS _____ DAY OF _____ 2021.

Bidder's Name (Company)

BY: _____
(Signature)

END OF ADDENDUM NO. 2

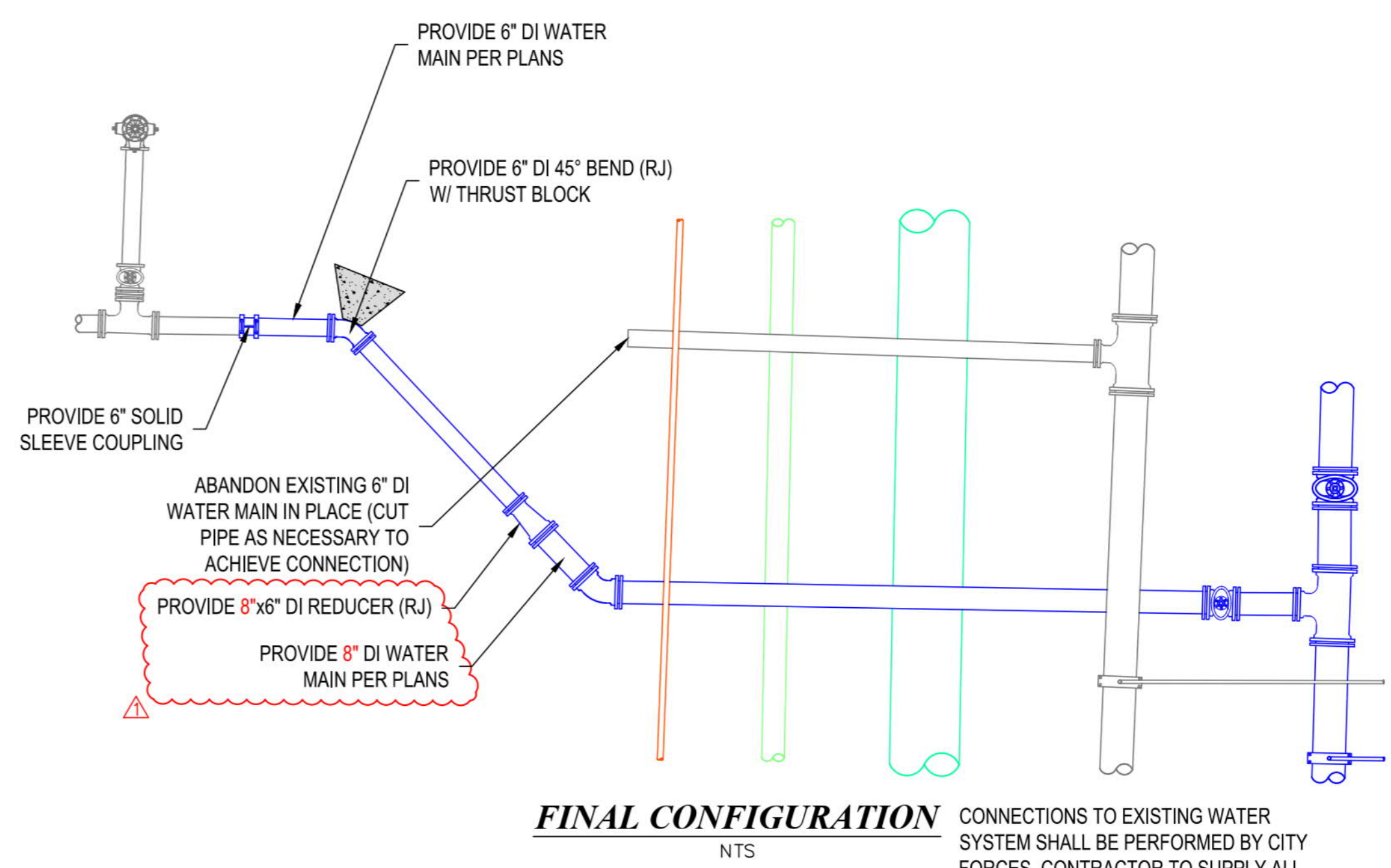
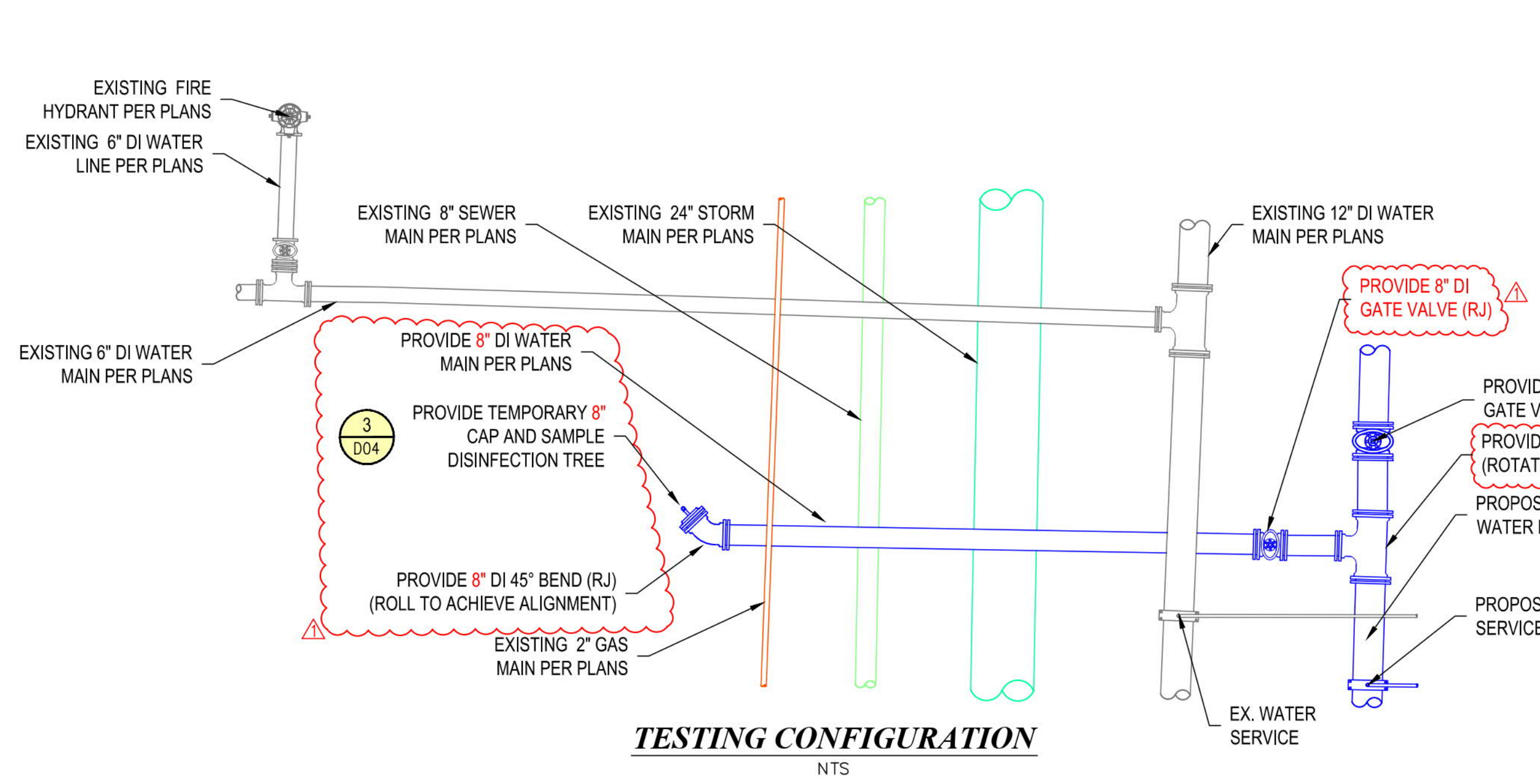
BID SCHEDULE

**Beacon Drive Waterline
Project No. WA6409**

PART 00200 – TEMPORARY FEATURES AND APPURTENANCES				
Item	Quantity	Unit	Unit Price (Fig.)	Extended Amount
1	Mobilization , move in of equipment and materials per APWA/ODOT Sec. 00210, installed, complete.			
	1	LS	\$	\$
2	Work Zone Traffic Control and Permitting, includes TCD, TCM and TCP per approved plans, M.U.T.C.D., and APWA/ODOT Sec. 00225 and 00225.90 (b), complete.			
	1	LS	\$	\$
3	Erosion & Sediment Control , per approved plans and APWA/ODOT Sec. 00280.00 Inlet Protection, Dust Control, Sediment Fence, Biofilter Bags, installed complete.			
	1	LS	\$	\$
4	Flagging Hours , APWA/ODOT Sec. 00225.97 (a).			
		HRS	\$ 52.00	\$
5	Traffic Control Supervisor , TCS will oversee ALL traffic control operations on a daily basis and will be the direct contact for discussion and implementation of any traffic control issues and/or concerns for the duration of the project, per approved plans and APWA/ODOT Sec. 00225.			
	1	LS	\$	\$
PART 00300 – ROADWORK				
6	Construction Survey Work , Per Special Provisions Sec. 00305.			
	1	LS	\$	\$
7	Removal of Structures and Obstructions , includes removal and proper disposal of existing pipe, AC, curb & gutter and sidewalk and saw cutting or other methods of cutting pavement, per approved plans and APWA/ODOT Sec. 00310.and 00291.20(c), (Hazardous Waste), complete.			
	1	LS	\$	\$
8	Asphalt Pavement Cutting for “T” Patch , per approved plans and APWA/ODOT Sec. 00310, 00405.48(c) and 00290.20(c) (Hazardous Waste), complete.			
	4050	LF	\$	\$
PART 00400 – DRAINAGE AND SEWERS				
9	4” C900 PVC Sanitary Sewer Pipe (if necessary @ WTR X-ING) per approved plans and APWA/ODOT Sec. 00445.			
	20	LF	\$	\$
10	8” C900 PVC Sanitary Sewer Pipe (if necessary @ WTR X-ING) per approved plans and APWA/ODOT Sec. 00445.			
	20	LF	\$	\$
11	Trench Resurfacing , per approved plans and APWA/ODOT Sec. 00495.			
	220	TN	\$	\$

PART 01100 - WATER SUPPLY SYSTEMS				
12	4" Ductile Iron Pipe with Restrained Joints and Class E Backfill , per approved plans and APWA/ODOT Sec. 01140 and GP201 through GP278.			
	35	LF	\$	\$
13	6" Ductile Iron Pipe with Restrained Joints and Class E Backfill , per approved plans and APWA/ODOT Sec. 01140 and GP201 through GP278.			
	91	LF	\$	\$
14	8" Ductile Iron Pipe with Restrained Joints and Class E Backfill , per approved plans and APWA/ODOT Sec. 01140 and GP201 through GP278.			
	335	LF	\$	\$
15	12" Ductile Iron Pipe with Restrained Joints and Class E Backfill , per approved plans and APWA/ODOT Sec. 01140 and GP201 through GP278.			
	2110	LF	\$	\$
16	12" Connection to 12" Existing Main , per approved plans and APWA/ODOT Sec. 01140 and GP201 through GP278. Includes fittings and appurtenances, installed, complete.			
	2	EA	\$	\$
17	12" Connection to 10" Existing Main , per approved plans and APWA/ODOT Sec. 01140 and GP201 through GP278. Includes fittings and appurtenances, installed, complete.			
	1	EA	\$	\$
18	12" Connection to 8" Existing Main , per approved plans and APWA/ODOT Sec. 01140 and GP201 through GP278. Includes fittings and appurtenances, installed, complete.			
	2	EA	\$	\$
19	8" Connection to 8" Existing Main , per approved plans and APWA/ODOT Sec. 01140 and GP201 through GP278. Includes fittings and appurtenances, installed, complete.			
	1	EA	\$	\$
20	8" Connection to 6" Existing Main , per approved plans and APWA/ODOT Sec. 01140 and GP201 through GP278. Includes fittings and appurtenances, installed, complete.			
	2	EA	\$	\$
21	8" Connection to 4" Existing Main , per approved plans and APWA/ODOT Sec. 01140 and GP201 through GP278. Includes fittings and appurtenances, installed, complete.			
	3	EA	\$	\$
22	2" Blow Off Assembly , per approved plans, GP262 and APWA/ODOT Sec. 01140. Includes excavation, backfill, connections and all appurtenances and parts necessary.			
	1	EA	\$	\$
23	6" Gate Valve (including concrete pad), per approved plans and APWA/ODOT Sec. 01150 and GP201 through GP278.			
	6	EA	\$	\$
24	8" Gate Valve (including concrete pad), per approved plans and APWA/ODOT Sec. 01150 and GP201 through GP278.			
	7	EA	\$	\$

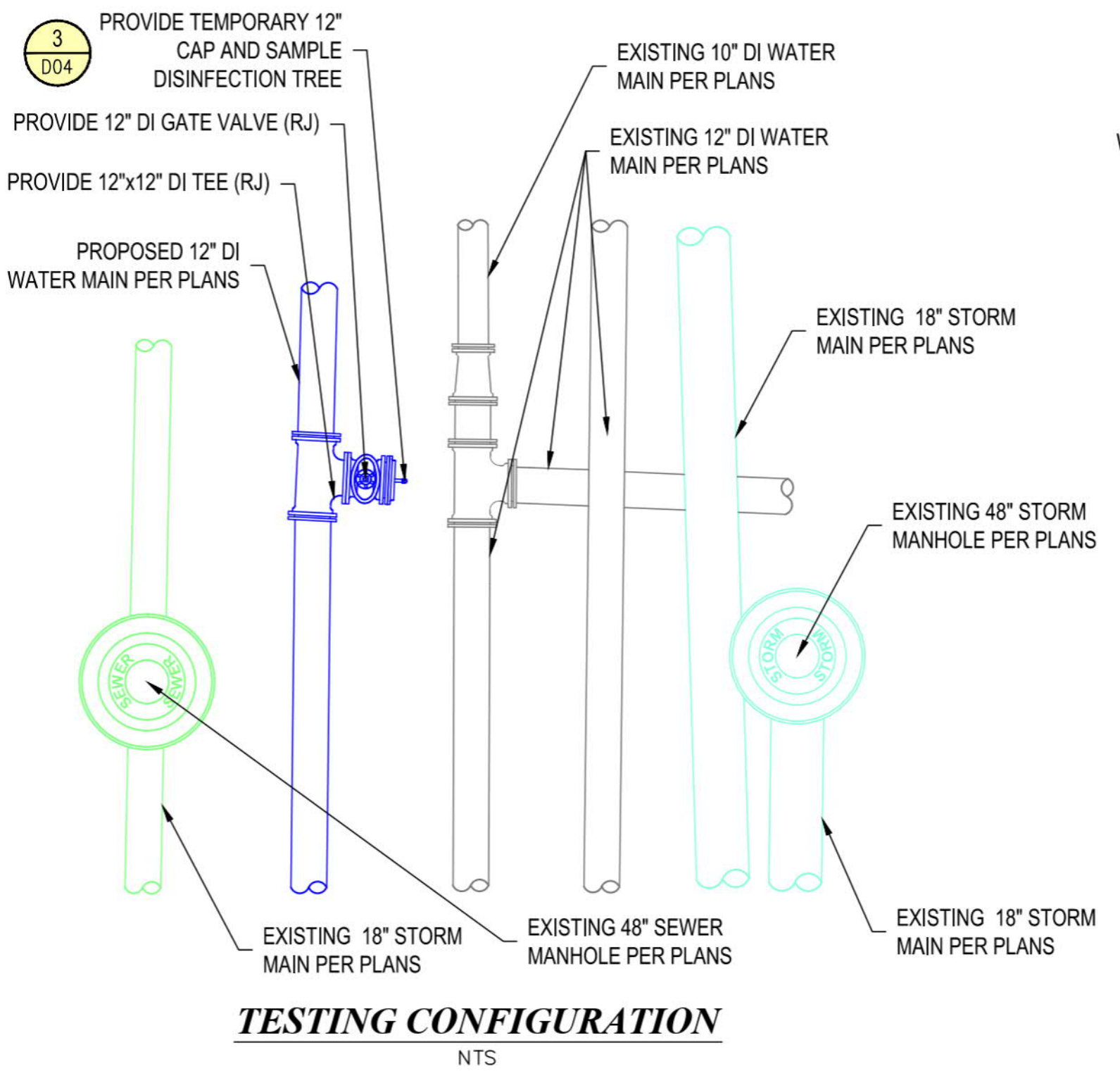
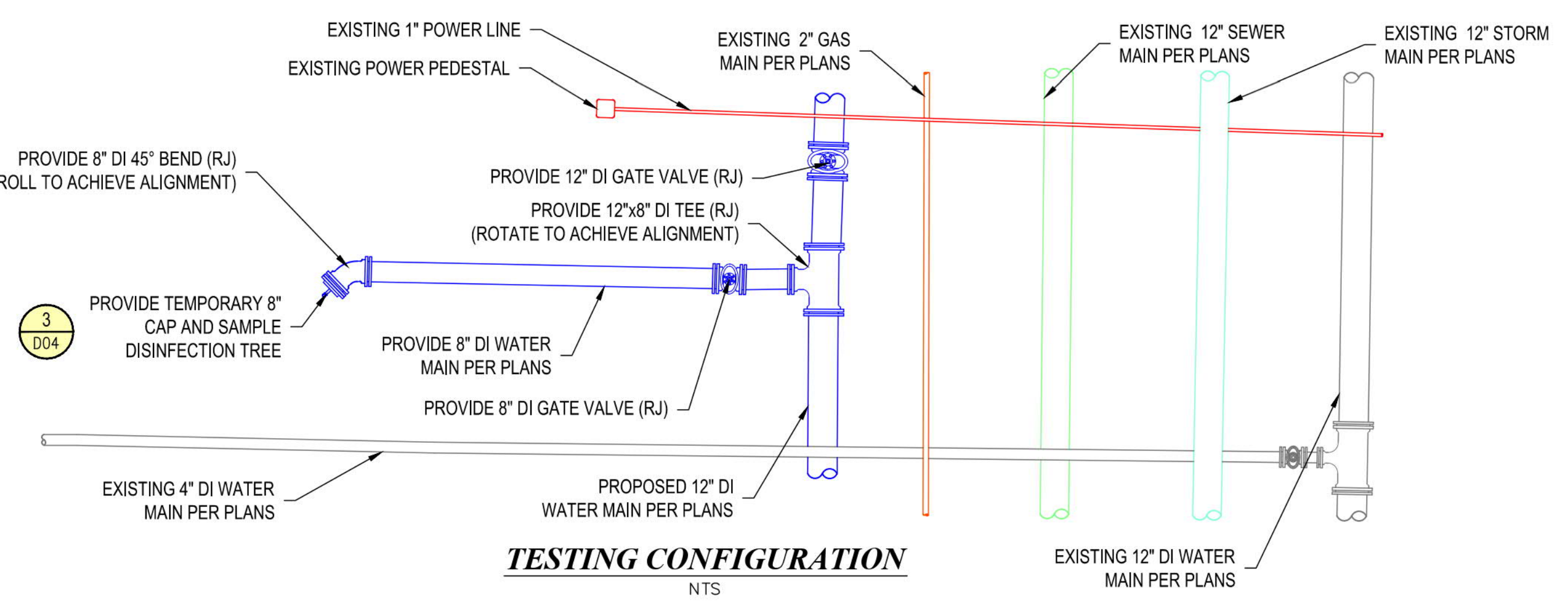
25	12" Gate Valve (including concrete pad), per approved plans and APWA/ODOT Sec. 01150 and GP201 through GP278.		
	10	EA	\$
26	Hydrant Assembly (including valve, fittings, pipe and concrete pad), per approved plans and APWA/ODOT Sec. 01160 and GP201 through GP278.		
	6	EA	\$
27	Re-Plumbing to Individual Houses , as per Oregon Plumbing Specialty Code.		
	1	LS	\$
28	Potable Water Service Connection, 2" and Smaller , per approved plans, GP274 and APWA/ODOT Sec. 01170, installed, complete. Includes PRV's, Customer Valves, Meter Boxes and Thermal Expansion Tanks, installed, complete.		
	40	EA	\$
PART 00200 – TEMPORARY FEATURES AND			
			\$
PART 00300 – ROADWORK			
			\$
PART 00400 – DRAINAGE AND SEWERS			
			\$
PART 01100 – WATER SUPPLY SYSTEMS			
			\$
SUM OF EXTENDED TOTALS			\$
CONTRACTOR SIGNATURE:			
DATE:			



1 D03 CONNECTION TO EXISTING SYSTEM AT NE CHURCHILL ST. AND NE BEACON DR.

NOTE: RESTRAIN ALL JOINTS

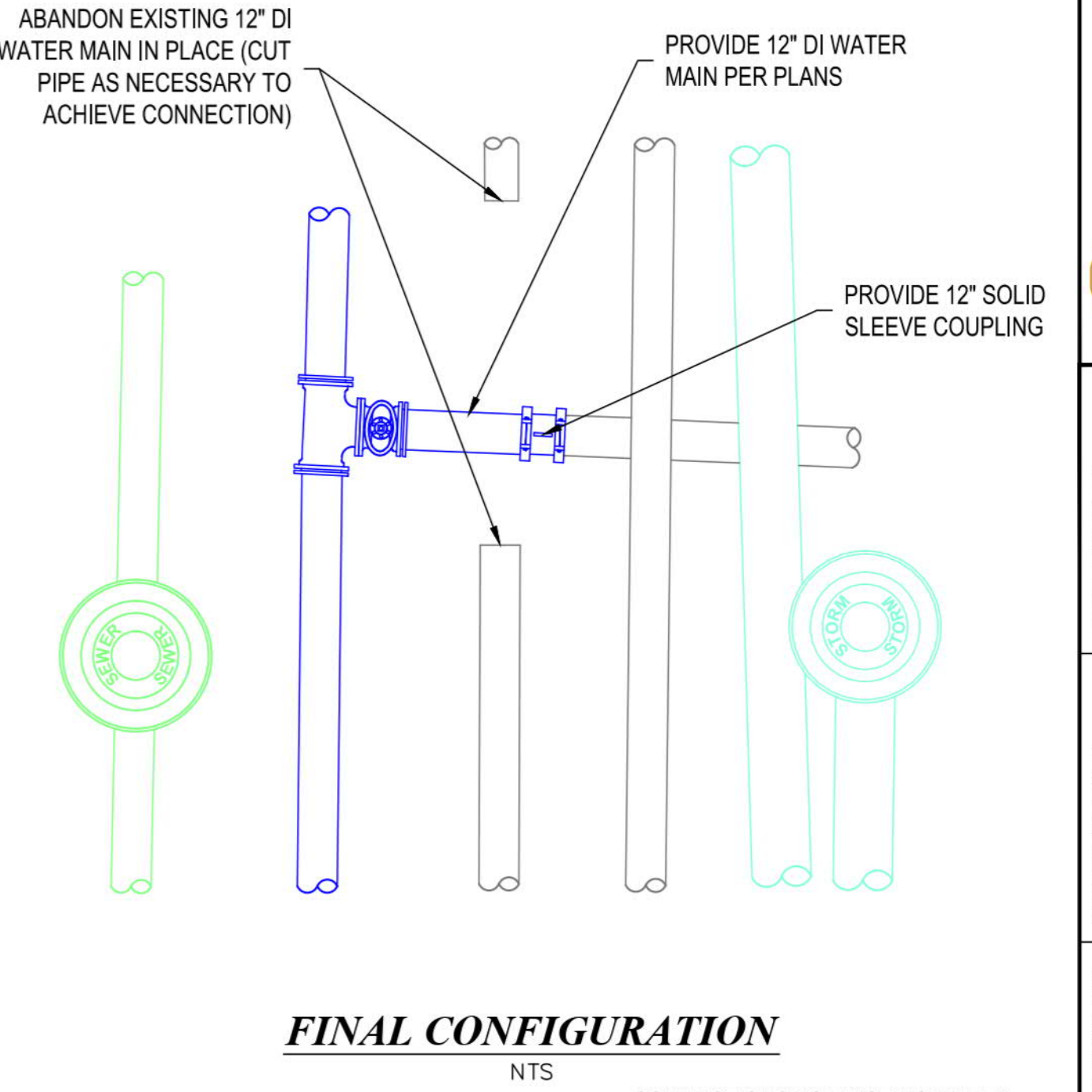
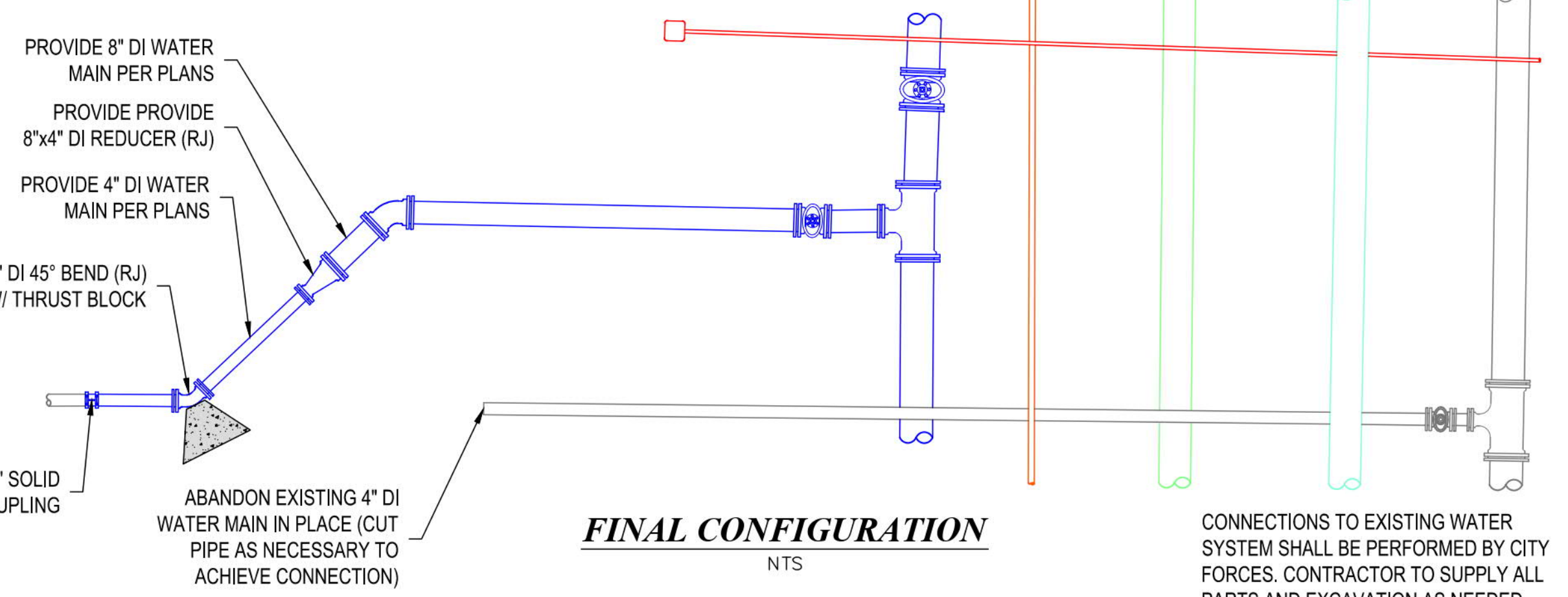
CONNECTIONS TO EXISTING WATER SYSTEM SHALL BE PERFORMED BY CITY FORCES. CONTRACTOR TO SUPPLY ALL PARTS AND EXCAVATION AS NEEDED TO COMPLETE THE CONNECTION.



3 D03 CONNECTION TO EXISTING SYSTEM AT NE SAVAGE ST. AND NE BEACON DR. (EMPTY LOT)

NOTE: RESTRAIN ALL JOINTS

CONNECTIONS TO EXISTING WATER SYSTEM SHALL BE PERFORMED BY CITY FORCES. CONTRACTOR TO SUPPLY ALL PARTS AND EXCAVATION AS NEEDED TO COMPLETE THE CONNECTION.



2 D03 CONNECTION TO EXISTING SYSTEM AT QUAIL CROSSING RD. AND NE BEACON DR.

NOTE: RESTRAIN ALL JOINTS

CITY OF GRANTS PASS
BEACON DRIVE WATERLINE

DETAILS

NO.	DATE	DESCRIPTION	BY	REVIEW
1	4/7/2021	REVISED CONNECTION NOTES TO MATCH PLAN SHEET	KAL	

REVISIONS	NOTES TO MATCH PLAN SHEET
1	REVISED CONNECTION NOTES TO MATCH PLAN SHEET

ENGINEER: KAL	DATE: Mar 31, 2021	CITY: GRANTS PASS	JOB NO.: 1016134.10
DESIGNED: JAB	DATE: Apr 1, 2021	FILENAME: BCONP-DET.DWG	

SCALE: SHOWN

DRAWING IS FULL SCALE WHEN BAR MEASURES 2"

DWG NO.: D03 SHEET NO.: 13 OF 16