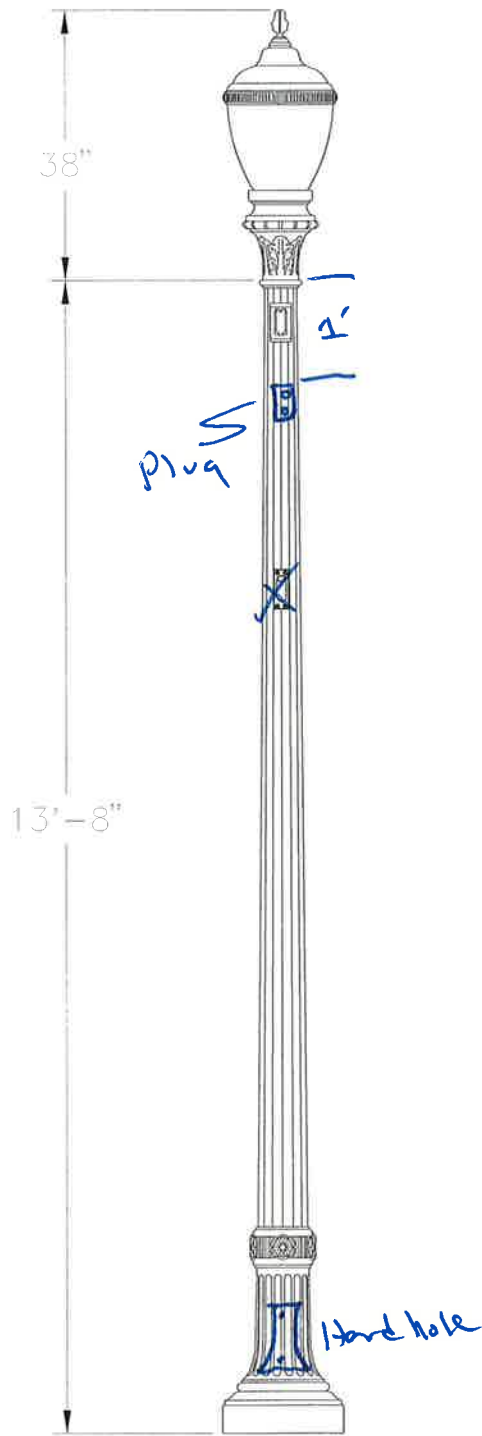


9.25.15

City of Grants Pass



New York Series Cast Iron and Steel Post

Post: PZ NY17 14 3T3 BP3/10 OD-121343 DGRH

Post shall be cast iron and steel construction consisting of a tapered and fluted cast iron base and a 16 flute tapered steel shaft with a $\varnothing 3'' \times 3''$ tenon for luminaire mounting. A door is located in the base for anchorage and wiring access.

Luminaire: AT23 L 150M MED ACT GR3 TB FAB DGRH

Luminaire shall be $\varnothing 16'' \times 38''$ tall with a cast aluminum base and finial and a clear textured acrylic acorn globe with brass band and medallions. Luminaire shall be furnished with a high intensity discharge ballast and socket assembly and a borosilicate glass refractor with IES type 3 distribution..

Lamp Type	Metal Halide	High Pressure Sodium	Voltage
<input type="checkbox"/> - 50M	<input type="checkbox"/> - 35S	<input type="checkbox"/> - 120	
<input type="checkbox"/> - 70M	<input type="checkbox"/> - 50S	<input type="checkbox"/> - 208	
<input type="checkbox"/> - 100M	<input type="checkbox"/> - 70S	<input type="checkbox"/> - 240	
<input checked="" type="checkbox"/> - MED	<input type="checkbox"/> - 100S	<input type="checkbox"/> - 277	
<input type="checkbox"/> - MOG	<input type="checkbox"/> - 150S	<input type="checkbox"/> - 480	
	<input type="checkbox"/> - 250S	<input checked="" type="checkbox"/> - TB	

Accessories:

FG-S - duplex GFCI outlet with weatherproof cover.

FPH4B - bolt on 1" flag pole holder.

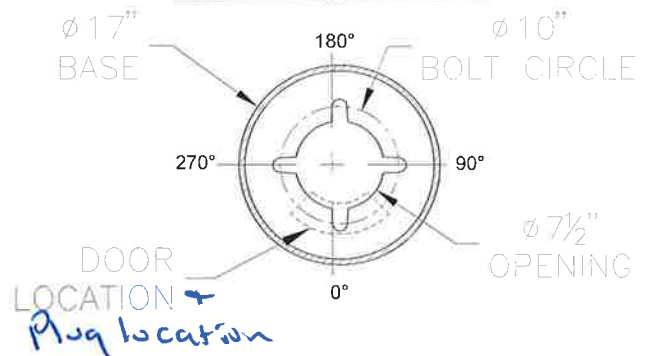
Anchorage:

Post shall be furnished with (4) $\frac{3}{4}''$ hot-dip galvanized L-type anchor bolts.

Finish:

Post, accessories and luminaire shall be furnished with a RAL 6012 finish.

Anchorage Detail



Note:

All hardware shall be stainless steel. All easily accessible exterior hardware shall be tamper resistant.

Post Height: 13'-8"

Overall Height: 16'-10"

Base Size: $\varnothing 17''$

Top Light Center: 15'-5"

date:

7/9/10

scale:

NTS

dwg#:

L-7913AR3

ANTIQUE Street Lamps

One Lithonia Way
PMD, Building Three
Conyers, GA 30012

(770) 860-3747
(770) 860-3712

sign
&
date

Customer Approval

Post: PZ NY17 14 3T3 BP3/10 OD-121343 DGRH

Arm:

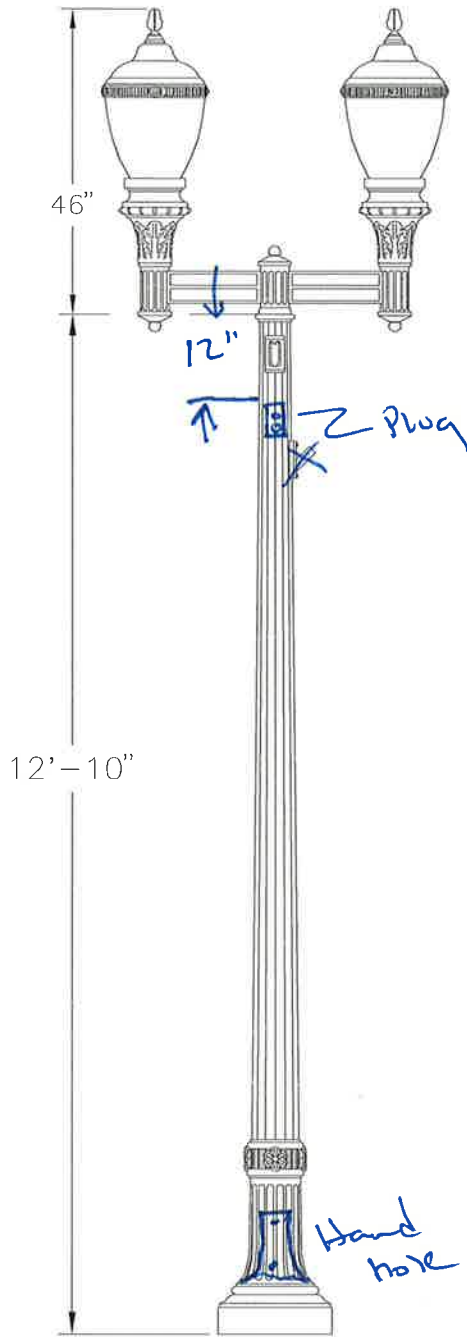
Luminaire: AT23 L 150M MED ACT GR3 TB FAB DGRH

Accessories:

FG-S DGRH
FPH4B DGRH

9.25-15

City of Grants Pass



Customer Approval

sign & date

Accessories:

FG-S DGRH
FPH4B DGRH

Post: PZ NY17 12-10 AB3/10 3T5 DGRH
Arm: PCP36 3CT3 DGRH
Luminaire: AT23 L 150M MED ACT GR3 TB FAB DGRH

New York Series Cast Iron and Steel Post

Post: PZ NY17 12-10 3T5 AB3/10 DGRH

Post shall be cast iron and steel construction consisting of a tapered and fluted cast iron base and a 16 flute tapered steel shaft with a $\varnothing 3'' \times 3''$ tenon for luminaire mounting. A door is located in the base for anchorage and wiring access.

Arm: PCP36 3CT3 DGRH

Arm shall be cast aluminum construction consisting of a post fitter and twin cast arms with $\varnothing 3'' \times 3''$ tenons for luminaire mounting.

Luminaire: AT23 L 150M MED ACT GR3 TB FAB DGRH

Luminaire shall be $\varnothing 16'' \times 38''$ tall with a cast aluminum base and finial and a clear textured acrylic acorn globe with brass band and medallions. Luminaire shall be furnished with a high intensity discharge ballast and socket assembly and a borosilicate glass refractor with IES type 3 distribution.

Lamp Type	Metal Halide	High Pressure Sodium	Voltage
HID Socket Size	<input type="checkbox"/> - 50M	<input type="checkbox"/> - 35S	<input type="checkbox"/> /120
	<input type="checkbox"/> - 70M	<input type="checkbox"/> - 50S	<input type="checkbox"/> /208
■ - MED <input type="checkbox"/> - MOG	<input type="checkbox"/> - 100M	<input type="checkbox"/> - 70S	<input type="checkbox"/> /240
	<input checked="" type="checkbox"/> - 150M	<input type="checkbox"/> - 100S	<input type="checkbox"/> /277
	<input type="checkbox"/> - 250M	<input type="checkbox"/> - 150S	<input type="checkbox"/> /480
		<input type="checkbox"/> - 250S	<input checked="" type="checkbox"/> /TB

Accessories:

FG-S - duplex GFCI outlet with weatherproof cover.
FPH4B - bolt on 1" flag pole holder.

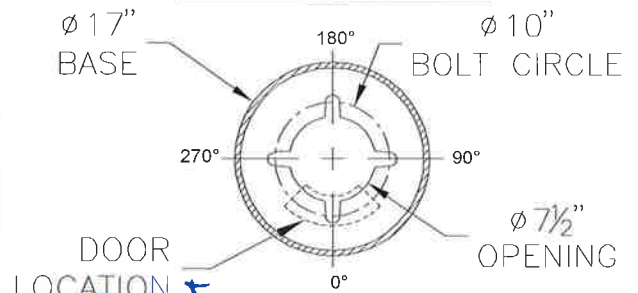
Anchorage:

Post shall be furnished with (4) $\frac{3}{4}''$ hot-dip galvanized L-type anchor bolts.

Finish:

Post, accessories and luminaire shall be furnished with a custom select powder coat finish. Finish specified as RAL6012, black green.

Anchorage Detail



Note:

All hardware shall be stainless steel. All easily accessible exterior hardware shall be tamper resistant.

Post Height: 12'-10"
Base Size: $\varnothing 17''$

Overall Height: 16'-8"
Top Light Center: 17'-8"

date: 3/11/10

scale: NTS

dwg#: L-7913B

ANTIQUE Street Lamps

One Lithonia Way
PMD, Building Three (770) 860-3747
Conyers, GA 30012 (770) 860-3712