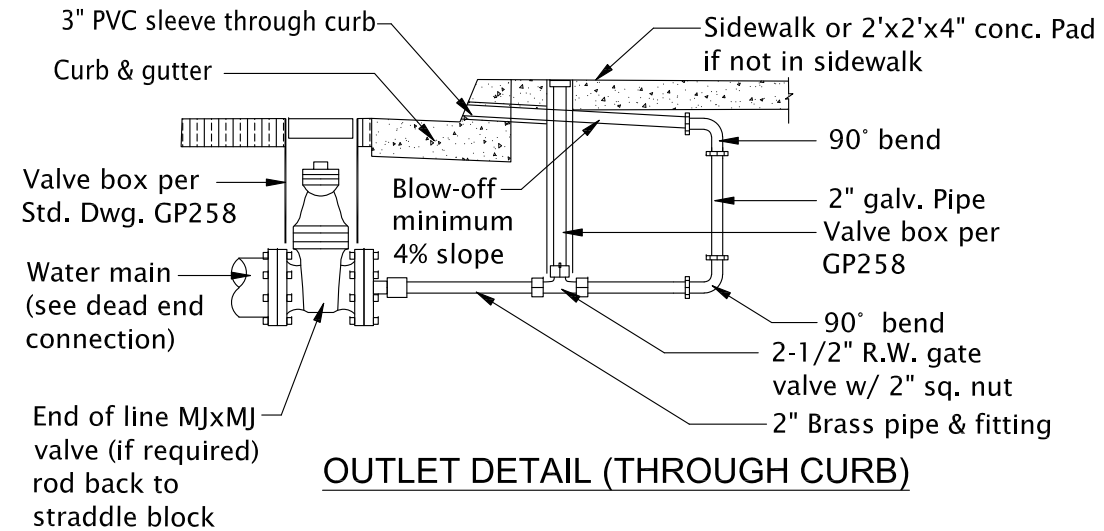
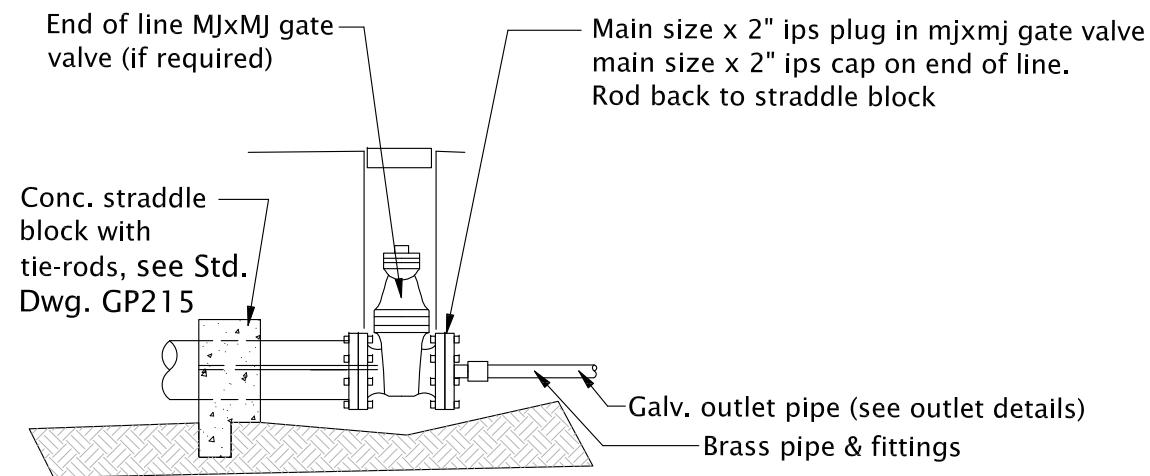


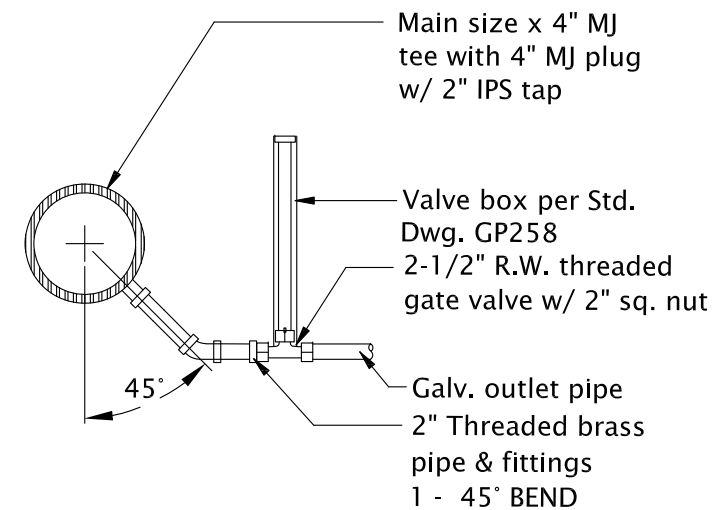
OUTLET DETAIL (TO DITCH OR SLOPE)
(Prior approval by City Engineer required)



OUTLET DETAIL (THROUGH CURB)



DEAD END CONNECTION FOR FUTURE EXTENSIONS



INLINE CONNECTION

General Notes

1. Install 1/4" galv. wire mesh over end of blow-off in unimproved areas
2. Thrust rods and/or rebar exposed to soil shall be zinc coated
3. All valves with operating nuts more than 24" deep shall be provided with operator extensions per Std. Dwg. GP258.

The selection and use of this standard drawing, while designed in accordance with generally accepted engineering principles and practices, is the sole responsibility of the user.

Designed By:	STAFF
Drawn By:	KJD
Checked By:	MPT
Approved:	JMC

No.	Date	Revisions	App. By

CITY OF GRANTS PASS
101 Northwest 'A' Street
Grants Pass, OR 97526
(541) 450-6060 ph (541) 476-9218 fax

2" BLOW-OFF ASSEMBLY

2018

DWG. NO. GP262