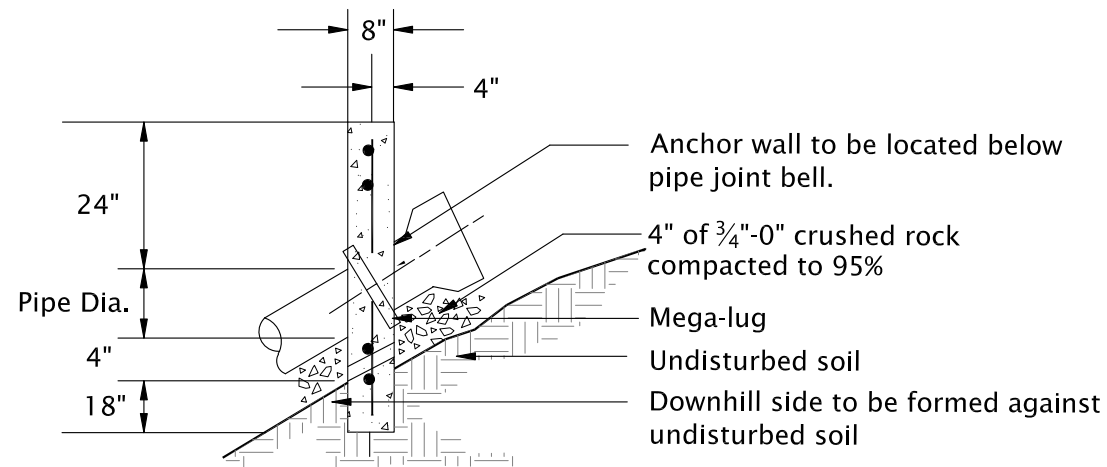


ELEVATION



SECTION

General Notes:

1. See concrete standards page for additional requirements.
2. Anchor wall must be formed to undisturbed soil.
3. Spacing of anchor walls shall be:

SLOPE

20% - 34%
35% - 50%
50% - +

SPACING

35 Feet
25 Feet
15 Feet (or concrete encasement)

4. Concrete to be placed in forms. Remove forms prior to backfilling trench.
5. Mechanical vibration required during concrete placement.
6. Anchor blocks to be used for all underground pipe 6" through 12". Larger size pipes require a special design.
7. Anchor block must be used when slopes are greater than: 25% for sewer & storm drain, 20% for water mains.

The selection and use of this standard drawing, while designed in accordance with generally accepted engineering principles and practices, is the sole responsibility of the user.

Designed By: STAFF
Drawn By: KJD
Checked By: MPT
Approved: JMC

No.	Date	Revisions	App. By



CITY OF GRANTS PASS
101 Northwest 'A' Street
Grants Pass, OR 97526
(541) 450-6060 ph (541) 476-9218 fax

ANCHOR BLOCKS

2018

DWG. NO. GP210