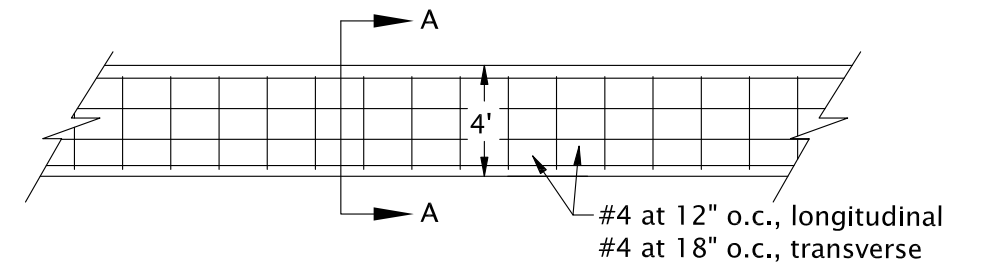
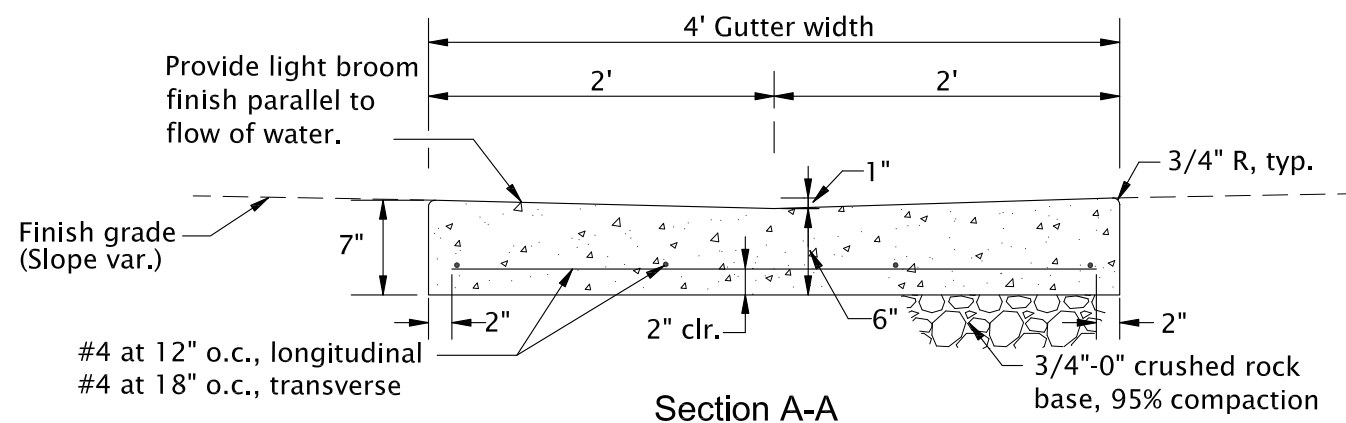


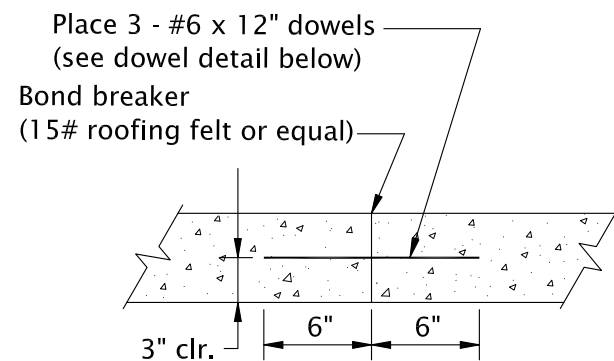
Street Valley Gutter-Plan View



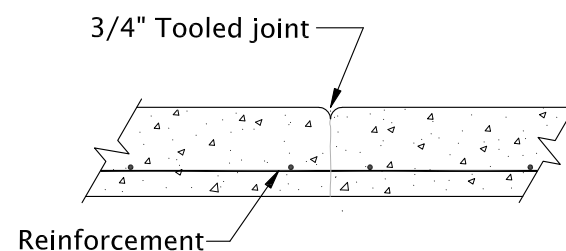
Alley Valley Gutter-Plan View



Section A-A



Doweled Joint Detail



Contraction Joint Detail

General Notes:

1. See concrete standards page for additional requirements.
2. All reinforcing steel shall be #4 rebar.
3. Reinforcing bars shall be continuous through gutter radii.
4. The longitudinal bars shall be 12" o.c. The transverse bars shall be 18" o.c. The spliced bars shall have a minimum lap of 12".
5. Concrete shall be vibrated while being placed.
6. Gutter flow line shall be centered in gutter and have a 1" slope in 18" from gutter edge to flow line.
7. Street/alley valley gutter to be approved by City Engineer.
8. Existing AC shall be removed/replaced along entire gutter section to a min. 18" width that provides for a max. 6% cross slope, or as directed by City Engineer.
9. Concrete shall not be placed until forms have been inspected and approved by City Engineer.
10. An encroachment permit is required prior to starting any work within right of way.
11. Valley gutter shall pass a water test to assure flow continues along longitudinal direction of valley gutter as designed.

The selection and use of this standard drawing, while designed in accordance with generally accepted engineering principles and practices, is the sole responsibility of the user.

Designed By: STAFF  
 Drawn By: KJD  
 Checked By: MPT  
 Approved: JMC



CITY OF GRANTS PASS  
 101 Northwest 'A' Street  
 Grants Pass, OR 97526  
 (541) 450-6060 ph (541) 476-9218 fax

STREET/ALLEY VALLEY GUTTER

No.	Date	Revisions	App. By

2018

DWG. NO. GP702