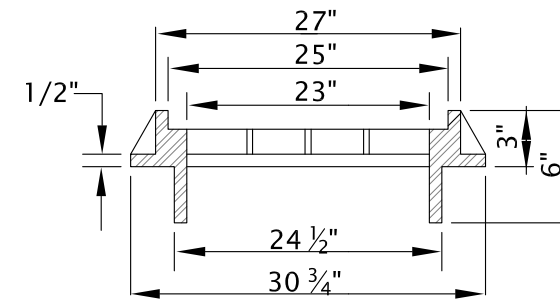
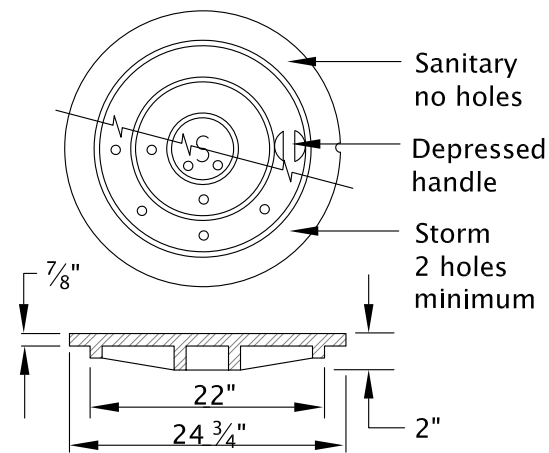
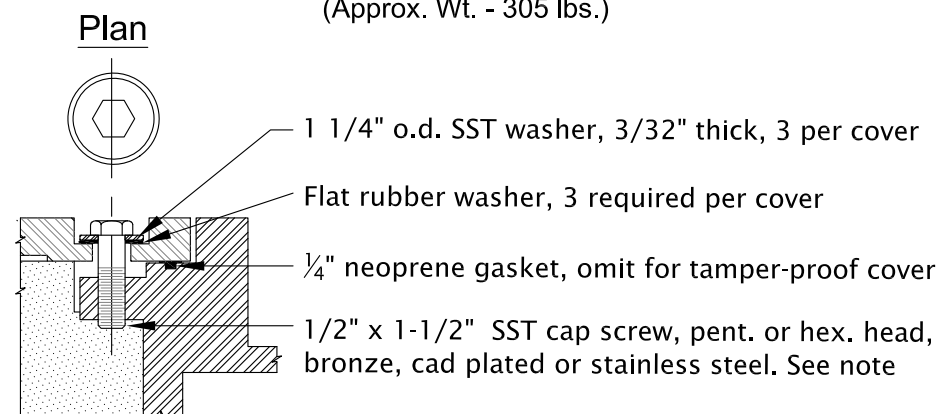


Cast Iron Tamperproof & Watertight Covers
(Frames available in standard or suburban pattern)



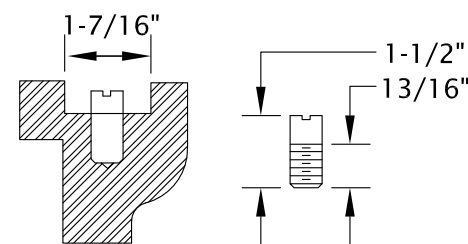
Cast Iron Suburban Cover
(Approx. Wt. - 305 lbs.)



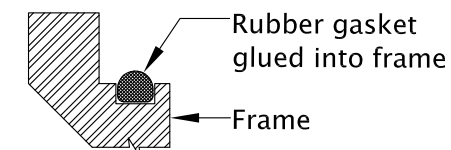
Bolt-down Assembly Detail
(for tamperproof and watertight)

General Notes:

1. Tamperproof covers req'd on sanitary or storm drain manhole where located in pedestrian ways or easement areas. Tamper proof covers for sanitary manholes shall have no holes.
2. Watertight covers required if located where manholes may be submerged.
3. 1 (one) locating stud required per cover for watertight and tamperproof.
4. 3 (three) bolt-down assemblies required per cover.
5. Standard manhole cover shall be marked "S" for sewer & "D" for drainage. (Similar to that manufactured by Olympic Foundry, Seattle, Wa.)



Locating Stud Details



Watertight Gasket Detail

The selection and use of this standard drawing, while designed in accordance with generally accepted engineering principles and practices, is the sole responsibility of the user.			
Designed By:	STAFF		
Drawn By:	KJD		
Checked By:	MPT		
Approved:	JMC		
No.	Date	Revisions	App. By



CITY OF GRANTS PASS
101 Northwest 'A' Street
Grants Pass, OR 97526
(541) 450-6060 ph (541) 476-9218 fax

MANHOLE COVER AND FRAME DETAILS

2018

DWG. NO. GP356