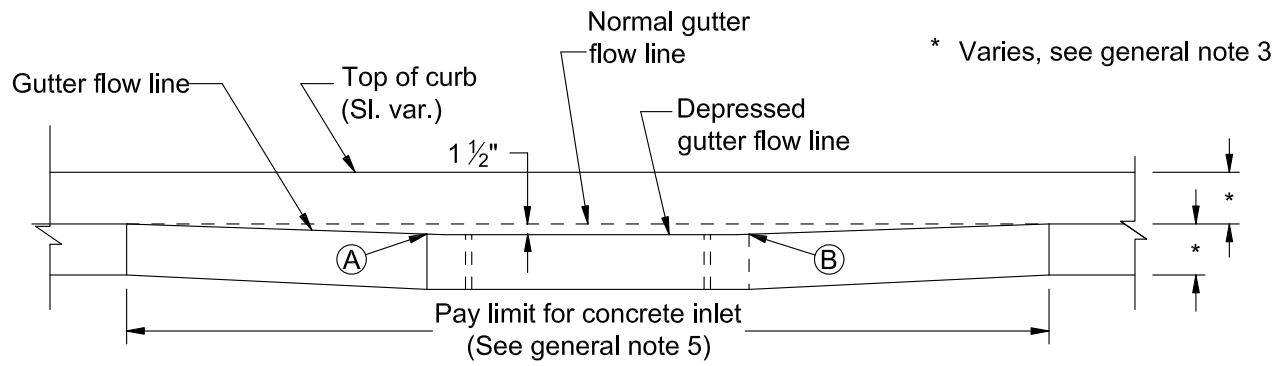
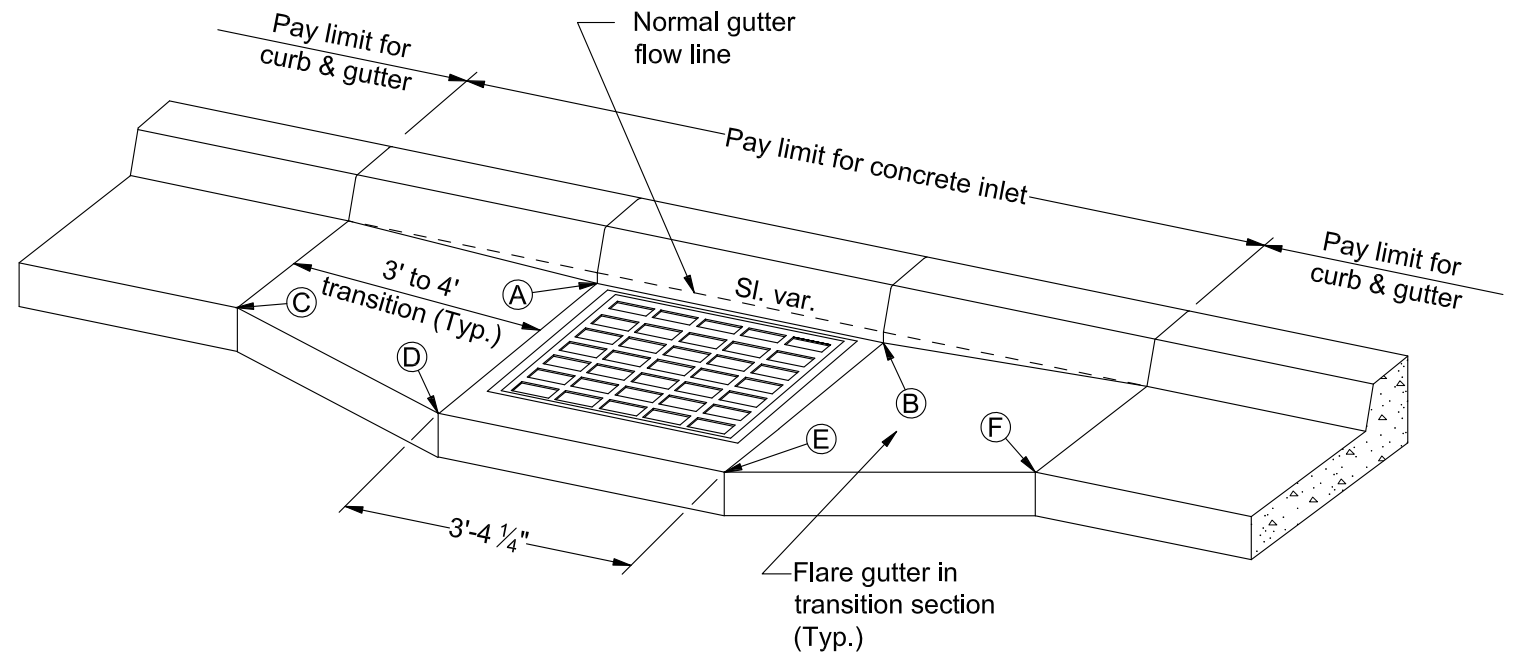


**Notes:**

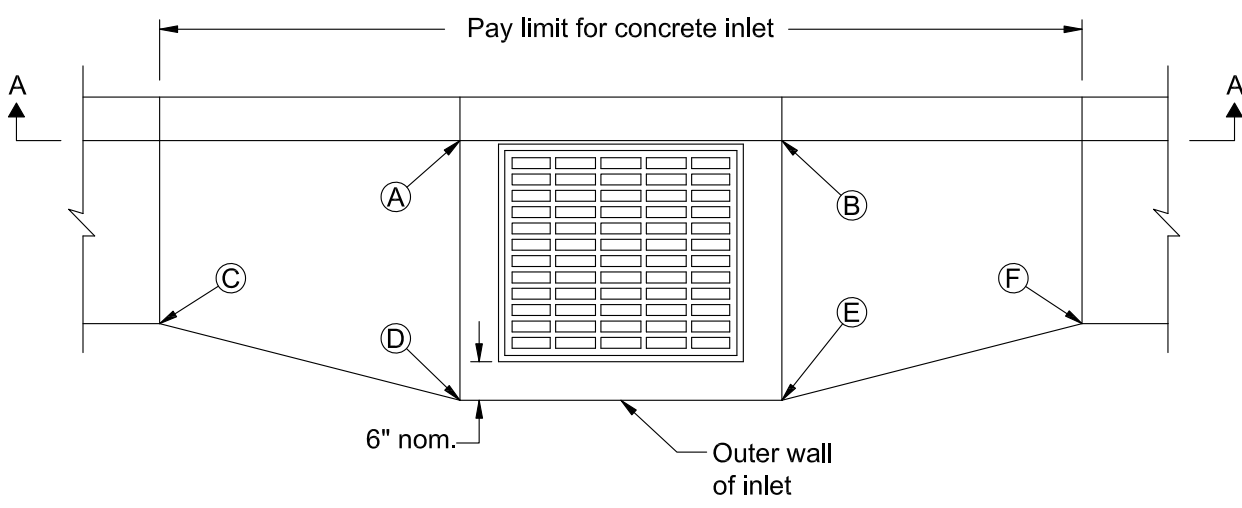
1. Provide 1 1/2" local depression at points A & B.
2. Match normal pvmt. grade at points C, D, E & F.
3. Vary transition section slopes to match above points.



SECTION A-A



ISOMETRIC VIEW



PLAN VIEW

**General Notes:**

1. For inlet details, see appropriate inlet standard drawing(s).
2. For frame and grate details, see Std. Dwg. GP365.
3. For curb details, see Std. Dwg. GP700.
4. All concrete shall be commercial grade concrete.

The selection and use of this standard drawing, while designed in accordance with generally accepted engineering principles and practices, is the sole responsibility of the user.

Designed By: STAFF  
 Drawn By: KJD  
 Checked By: MPT  
 Approved: JMC



**CITY OF GRANTS PASS**  
 101 Northwest 'A' Street  
 Grants Pass, OR 97526  
 (541) 450-6060 ph (541) 476-9218 fax

**GUTTER TRANSITION AT INLET**

2018

DWG. NO. GP363

No.	Date	Revisions	App. By