

**NOTES:**

CONCRETE SHALL BE 6 SACKS PORTLAND CEMENT PER CUBIC YARD OF CONCRETE, AND SHALL REACH 3300 P.S.I. IN 28 DAYS.

FLOOR SHALL BE POURED ON COMPACTED BASE (95% R.D. ¾"-0" CRUSHED ROCK, MIN. 6" THICK) OR OTHER BASE ROCK APPROVED BY ENGINEER.

SET JOINTS INSIDE & OUT IN 1:2 MORTAR, ALTERNATE: BUTYL JOINT SEALANT ST-8, 1" WIDE, MEETING FED. SPEC. SS-5-00210 (CSA-FSS).

FORM STRAIGHT "U" CHANNEL WITH SMOOTH, VERTICAL MORTAR SIDE. ½ PIPE ACCEPTABLE.

MAKE ANGULAR CHANGES WITH UNIFORM "U" CHANNEL, WITH SMOOTH CURVED PATH.

MAKE CHANGES IN CHANNEL SIZE WITH A SMOOTH, TAPERING TRANSITION.

FINISH PIPE ENDS FLUSH WITH INSIDE WALLS.

PROVIDE MANUFACTURED FLEX JOINTS WITHIN 12" OF OUTSIDE WALL FACE FOR ALL RIGID PIPES. CAULDER COUPLINGS NOT PERMITTED.

WHEN PVC IS USED, PROVIDE MANUFACTURED WATER STOP. FLEX JOINT NOT REQUIRED.

STANDARD MANHOLE COVER MARKED "S" FOR SEWER AND "D" FOR DRAINAGE.

PIPE Ø 42" OR LESS REQUIRES "STANDARD 48" ECCENTRIC MANHOLE," G.P.S.D. NO. 301

USE AS FEW PRECAST RING SECTIONS AS POSSIBLE TO REACH THE REQUIRED HEIGHT.

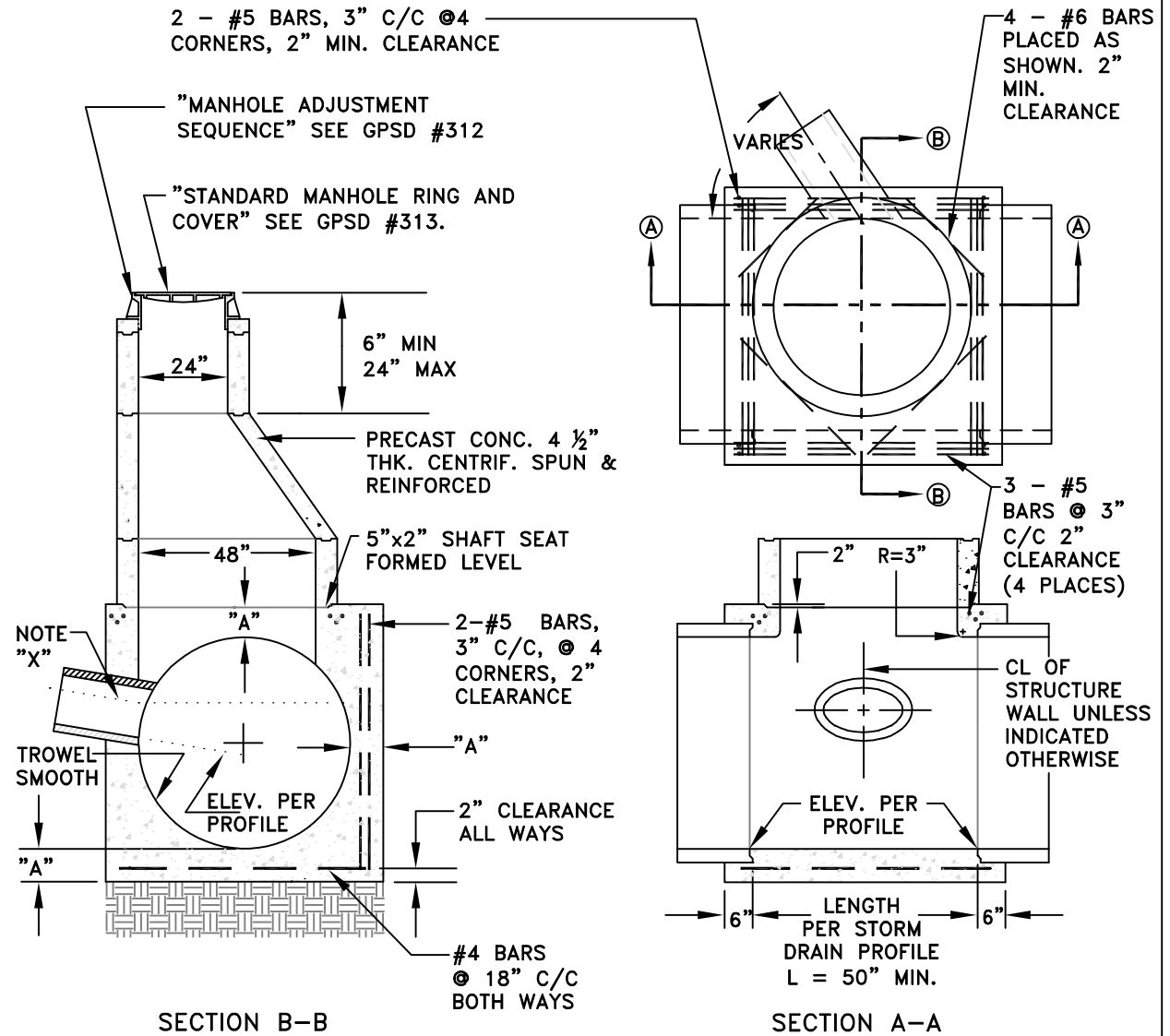
STRAIGHT FACE OF ECCENTRIC MANHOLE SECTION TO FACE DOWNSTREAM.

RING AND COVER TO PROJECT 6" ABOVE ADJACENT GROUND -- OR BE FLUSH WITH FINISHED PAVEMENT SURFACE.

SERVICE LATERALS SHALL NOT BE CONNECTED DIRECTLY TO MANHOLES.

WATER TIGHT LID REQUIRED.

|               |     |
|---------------|-----|
| PIPE DIAMETER | "A" |
| 60" OR LESS   | 9"  |
| 72" AND OVER  | 12" |



NOTE "X": MATCH ⅔ LINE OF ALL PIPES UNLESS OTHERWISE INDICATED ON PROFILE.

| NO.           | DATE | INITIAL    | REVISIONS               | CITY OF GRANTS PASS ENGINEERING DIVISION |              |
|---------------|------|------------|-------------------------|--|--------------|
| 1             | 2/95 | SLN        | XFER TO AUTOCAD         | SPECIAL STRUCTURE MANHOLE                |              |
| 2             | 6/95 | SLN        | ADOPTED BY CITY COUNCIL |  |              |
| 3             | 6/04 | FMS        | SEWER STD DWG UPDATE    |  |              |
| DESIGN: STAFF |      | DRAWN: SLN |                         | APPROVED: DAP                            |              |
|               |      |            |                         | SCALE: NONE                              | DWG. NO. 308 |