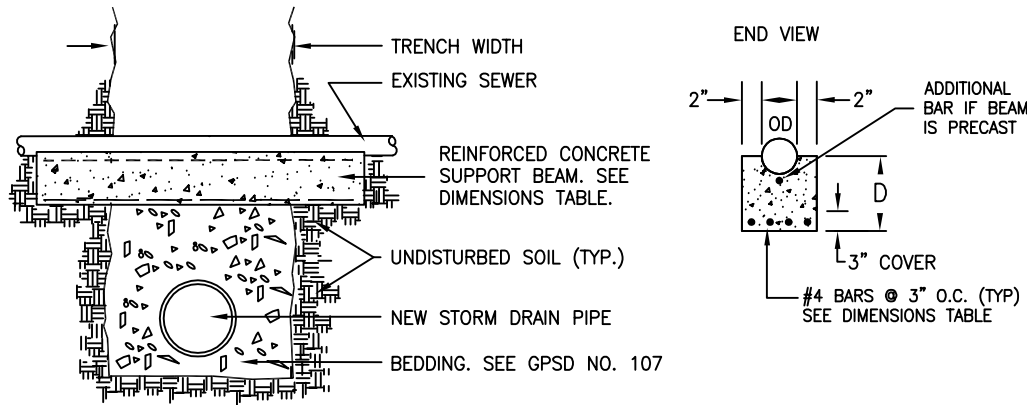


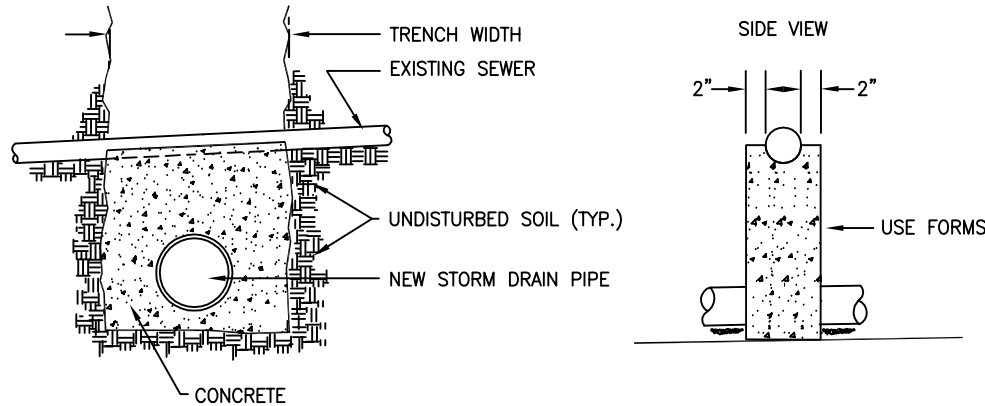
TYPE 1 ~ SUPPORT DETAILS OVER STORM DRAIN



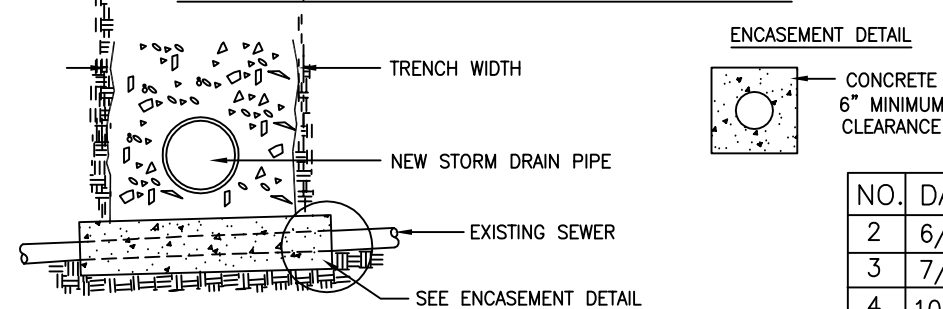
DIMENSIONS OF REINFORCED CONCRETE BEAM

TRENCH WIDTH (FT)	DEPTH OF COVER OVER SEWER PIPE					
	0' TO 8'-0"			8'-1" TO 16'-0"		
	D	BAR SIZE	SPACING	D	BAR SIZE	SPACING
4'	8"	4	3"	8"	4	2"
5'	8"	4	3"	9"	5	2"
6'	9"	5	3"	11"	5	2"
7'	9"	5	2"	12"	6	2"
8'	10"	5	2"	13"	6	2"
9'	11"	6	2"	14"	6	2"
10'	12"	6	2"	15"	7	2"

TYPE 2 ~ SUPPORT DETAILS OVER STORM DRAIN



TYPE 3 ~ ENCASEMENT BENEATH STORM DRAIN



NOTES:

1. CONCRETE SHALL BE COMMERCIAL GRADE CONCRETE CONFORMING TO ODOT STANDARD SECTION 00440.00
2. NO JOINTS PERMITTED WITHIN 2 FEET OF CROSSING OR SUPPORTED AREA.
3. SEWER MAIN SUPPORT INSTALLATION TO BE APPROVED BY ENGINEER PRIOR TO PLACING BACKFILL.
4. SEE GPSD NO. 107 FOR TRENCH SPECIFICATIONS.
5. IN ALL CASES, INSTALL STORM DRAIN PIPE SUCH THAT EXISTING SEWER JOINTS ARE AS FAR AWAY FROM THE CROSSING AS POSSIBLE.

NO.	DATE	INITIAL	REVISIONS	CITY OF GRANTS PASS ENGINEERING DIVISION SS MAIN SUPPORT ACROSS STORM DRAIN TRENCH
2	6/95	SLN	ADOPTED BY CITY COUNCIL	
3	7/97	FMS	UPDATE	
4	10/09	GLV	DWG UPDATE	
DESIGN: STAFF		DRAWN: SLN		APPROVED: RJS
				SCALE: NONE
				DWG. NO. 310