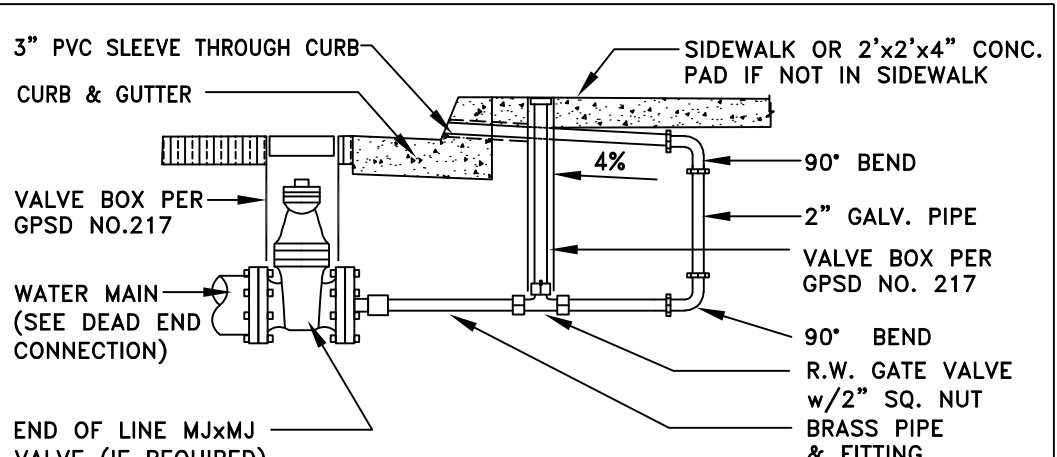
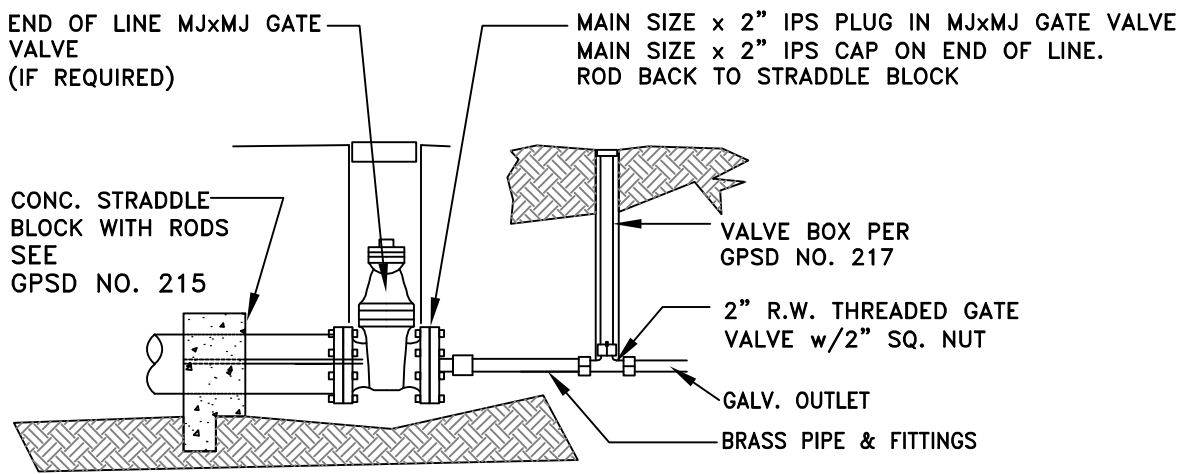


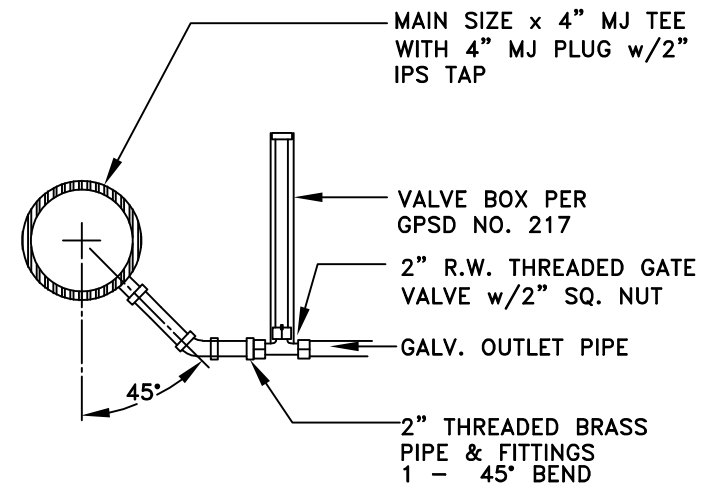
OUTLET DETAIL (TO DITCH OR SLOPE)
(PRIOR APPROVAL BY ENGINEER REQUIRED)



OUTLET DETAIL (THROUGH CURB)



DEAD END CONNECTION
FOR FUTURE EXTENSIONS



INLINE CONNECTION

NOTES

1. INSTALL 1/4" GALV. WIRE MESH OVER END OF BLOW-OFF IN UNIMPROVED AREAS
2. THRUST RODS AND/OR REBAR EXPOSED TO SOIL SHALL BE ZINC COATED
3. ALL VALVES WITH OPERATING NUTS MORE THAN 24" DEEP SHALL BE PROVIDED WITH OPERATOR EXTENSIONS PER GPSD NO. 217

NO.	DATE	INITIAL	REVISIONS
3	6/98	FMS	REVISIONS
4	2/02	FMS	REVISIONS
5	2/05	FMS	STD. DWG. UPDATE
DESIGN:	STAFF	DRAWN:	FMS
APPROVED:	DAP		

**CITY OF GRANTS PASS
ENGINEERING DIVISION**

2" BLOW-OFF ASS'Y

SCALE: **NONE** DWG. NO. **205**